

CE-Co.™ **CREATIVE ENGINEERING CO.**

**MANUFACTURER OF ALL TYPE OF INSTRUMENTATION VALVES AND FITTINGS,
FLEXIBLE HOSES, COUSTOM MADE INSTRUMENTATION ASSEMBLIES, HIGH
PRESSURE VALVES AND FITTINGS. IN SS, MS, BRASS, AND ALL ALLOY GRADE**

PRODUCT CATLOGUE



1 INDEX

2 INTRODUCTION

3 2 WAY BALL VALVE

4 TUBE END BALL VALVE

5 DBB BALL VALVE

6 BALL VALVE (VARIATIONS)

7 MINI BALL VALVE

8 MINI BALL VALVE (VARIATIONS)

9 PANEL MOUNTING BALL VALVE

10 PANEL MOUNTING BALL VALVE (VARIATION)

11 NEEDLE VALVE

12 UNION BONNET NEEDLE VALVE

13 HIGH PRESSURE NEEDLE VALVE

14 NEEDLE VALVE (VARIATIONS)

15 NON-RETURN VALVE

16 LOW PRESSURE NON-RETURN VALVE

17 HIGH PRESSURE NON-RETURN VALVE

18 NON-RETURN VALVE (VARIATIONS)

19 PRESSURE RELIEF VALVE

20 LOW PRESSUR RELIEF VALVE

21 FLANGE END PRESSUR RELIEF VALVE

22 PRESSURE RELIEF VALVE (VARIATIONS)

23 2 WAY MANIFOLD VALVE

24 2 WAY MANIFOLD VALVE (VARIATIONS)

25 3 WAY MANIFOLD VALVE

26 3 WAY MANIFOLD VALVE (VARIATIONS)

27 5 WAY MANIFOLD VALVE

28 5 WAY MANIFOLD VALVE (VARIATIONS)

29 PTFE VALVES AND FITTINGS

30 PTFE VALVES AND FITTINGS (VARIATIONS)

31 SINGLE CHECK QRC

32 DOUBLE CHECK QRC

33 BARB DOUBLE CHECK QRC

34 QRC (VARIATIONS)

35 PRESSURE REGULATOR

36 PRESSURE REGULATOR WITH VENT

37 DIRECT MOUNTING PRESSURE REGULATOR

38 PRESSURE REGULATOR (VARIATIONS)

39 HIGH PRESSURE VALVES & FITTINGS

40 HIGH PRESSURE VALVES & FITTINGS VARIATIONS

41 GUAGE ACCESSORIES

42 GUAGE ACCESSORIES (VARIATIONS)

43 FLOW CONTROL VALVE

44 CONDENSOR PORT & AIR HEADER

45 SPRAY NOZZLE

46 HOSE PIPE WITH FITTINGS

47 PRECISION PIPE FITTINGS

48 COMPRESSION TUBE FITTINGS

CREATIVE ENGINEERING CO.

For over two decades, Creative Engineering Co. (CECO) has been dedicated to crafting bespoke valves and fittings for a diverse range of industries including Chemical, Pharmaceutical, Petrochemical, Stainless Steel, Oil, Gas, Power Generation, and more. Our unwavering commitment to premium quality, genuine pricing, and customer satisfaction has established us as a trusted name in the field.

Precision in Every Detail

CECO boasts a unique manufacturing setup, with five distinct segments tailored for each valve type. From CNC/VNC machining for intricate designs to in-house hydro and pneumatic testing, we leave no stone unturned in achieving unparalleled precision and mastery in every product.

A One-Stop Shop

CECO prides itself on providing manually and pneumatically activated 2 & 3 way cock valves of the highest precision, delivered promptly and at competitive rates. We aim to be your "A One-Stop Shop" for all valve and fitting needs.

Our Commitment

CE-Co India is committed to delivering products of utmost precision, adhering to the highest international manufacturing standards. We ensure repetitive improvements, responsive customer service, effective price management, and the proficient utilization of resources.

Vision

We value your time, resources, and investments. Our products are crafted to meet and exceed your expectations, leading to unparalleled customer satisfaction.

Proprietor's Message

The CECO team extends heartfelt gratitude to our clients for their trust and support. With over two decades of experience, we've transformed from a dedicated valve engineering team into a thriving Proprietorship Company. Upholding our motto, "Signature of Precision," we are committed to delivering quality, timeliness, and service excellence.

Our Product Range

Under the CE-Co brand, we offer an extensive selection of valves, including Ball Valves, 3 Way, 2 Way Cock Valve, Safety Valves, Needle Valves, Cock Valves, Manifold Valves, Quick Release Couplings, High-Pressure Valves, Non-Return Valves, and Strainers. Additionally, CE-Co India provides Compression Tube Fittings, Precision Pipe Fittings, and Hydraulic Tube Fittings.

Quality Policy

At CECO, quality is not just a commitment, but a way of life. We invest in advanced infrastructure and resources at every stage, fostering continuous improvement in our procedures, materials, and services. Our employees are dedicated to exceeding customer expectations and maintaining strong relationships, ensuring a safe and healthy work environment.

Mission

Our mission is relentless pursuit of improvement and innovation, staying abreast of the latest technological standards. We promise on-time delivery, competitive pricing, and prioritizing customer needs. Perfection is our promise in every product we deliver.

Our Diverse Clientele

Our valued clientele spans across industries such as Pharma, Chemicals, Steel and Power, Petrochemicals, Fertilizers, Textile, Distilleries, Automobiles, and Defense Systems. We specialize in providing customized valve and fitting solutions.

2 WAY BALL VALVE

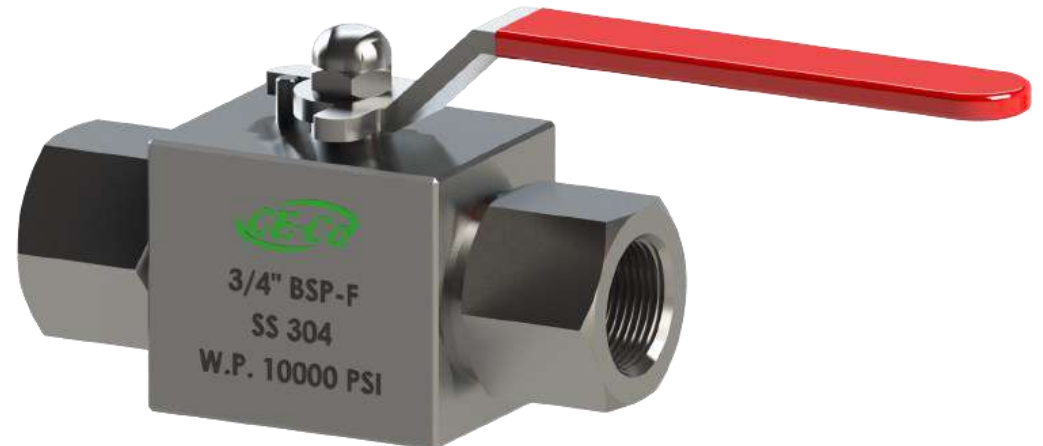
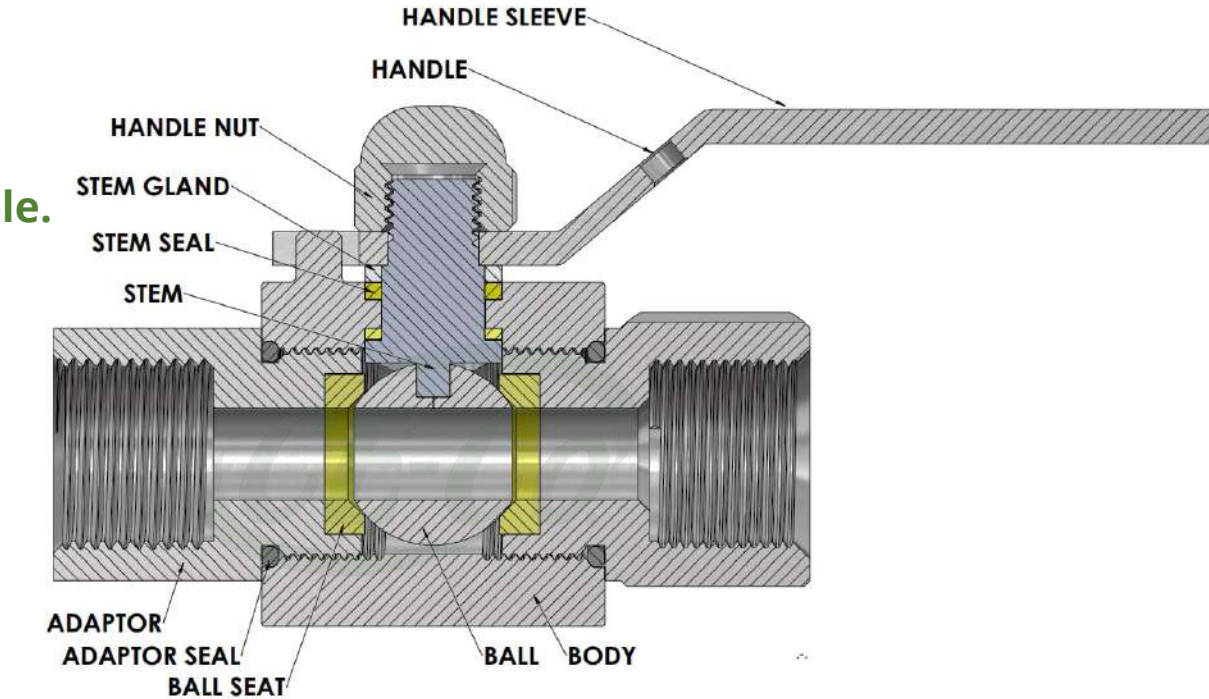
Designed for instant on/off, manual controlling for isolating & drains

- ❖ Precision Flow Control.
- ❖ Zero Leakage Design.
- ❖ Compact Space Utilization.
- ❖ Corrosion Resistance.
- ❖ Customization of pressure, temperature and metal available.

FOR MORE DETAILS PLEASE VISIT OUR WEBSITE :
<https://cecoindia.net/square-body-ball-valve.php>

TECHNICAL DATA

SIZE	1/8" TO 3" BSP/BSPT/NPT/S.W/JIC
PRESSURE RATING	1000 PSI – 20,000 PSI (WITH DIFFERENT BODY SIZE)
STANDARD MATERIALS	CS, SS 304, SS 316, MONEL , INCONEL & ALL ALLOY GRADES
BALL SEAT	PTFE, PEAK, DEVLON, DERLIN, GRAPHITE
TEMPERATURE	-50°C TO 500°C (WITH DIFFERENT BALL SEATS)



TUBE END BALL VALVE

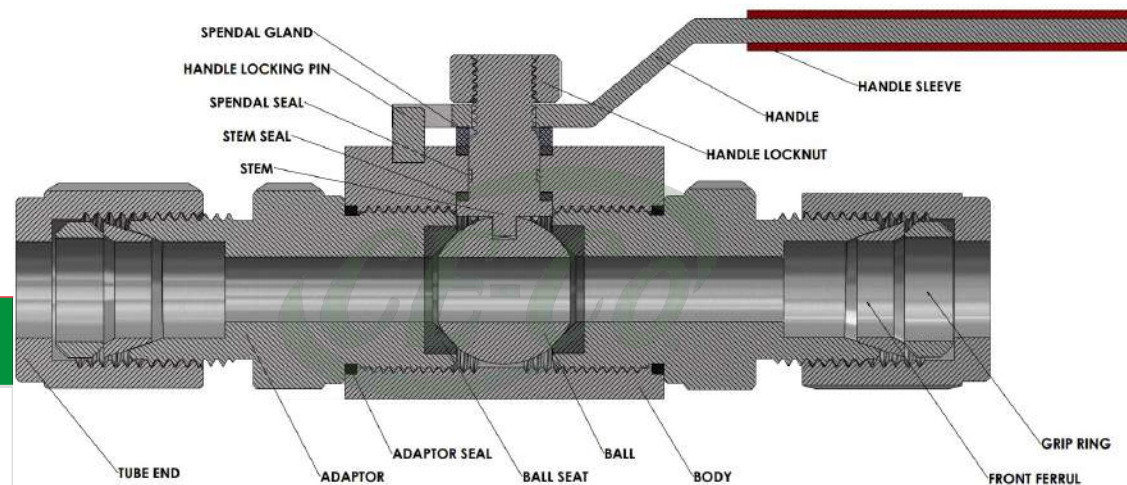
Manages fluid flow for precise system control and enhanced safety measures.

- ❖ Exacting Flow Control.
- ❖ Enhanced Safety Measures.
- ❖ Energy-Efficient Operation.
- ❖ Wide Range of Applications.
- ❖ Customization of pressure, temperature and metal available.

FOR MORE DETAILS PLEASE VISIT OUR WEBSITE :
<https://cecoindia.net/square-body-ball-valve.php>

TECHNICAL DATA

SIZE	1/8" TO 2" TUBE END CONNECTION
PRESSURE RATING	2500 PSI – 10,000 PSI (WITH DIFFERENT BODY SIZE)
STANDARD MATERIALS	CS, SS 304, SS 316, MONEL, INCONEL & ALL ALLOY GRADES
BALL SEAT	PTFE, PEAK, DEVLON, DERLIN GRAPHITE
TEMPERATURE	-50°C TO 500°C (WITH DIFFERENT BALL SEATS)



DOUBLE BLOCK & BLEED BALL VALVE

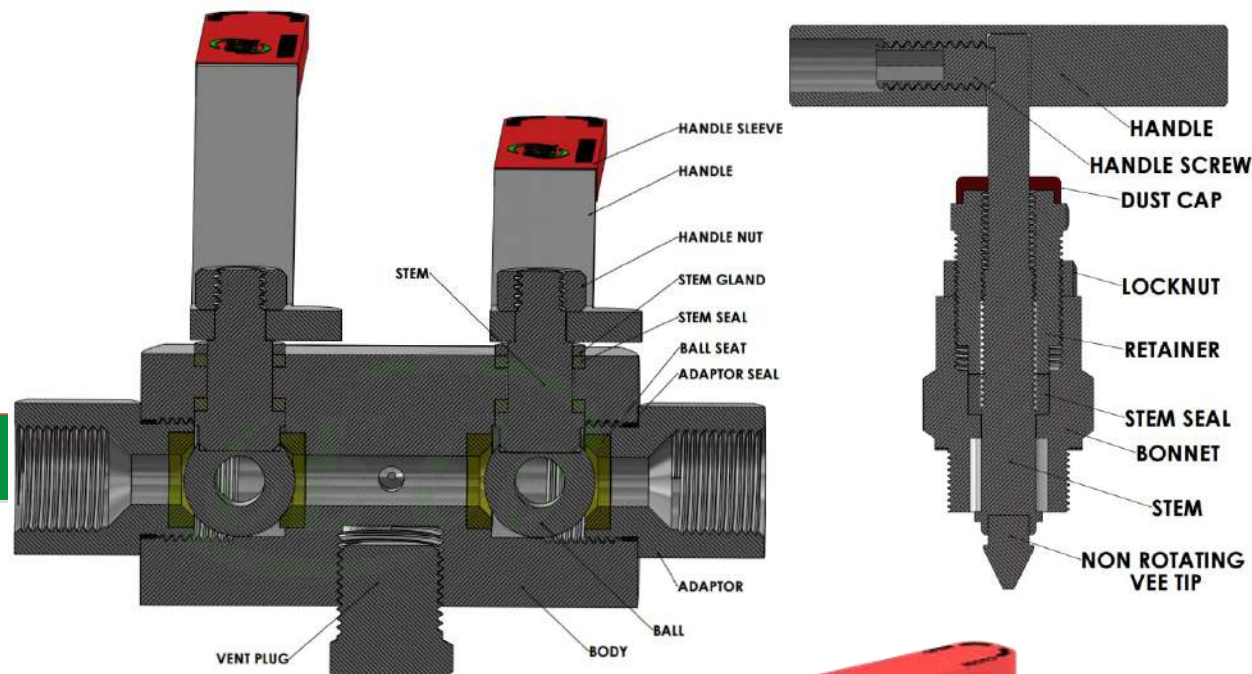
Enhances safety and control with a double block and bleed design, ensuring precise fluid management within systems.

- ❖ Redundant Sealing
- ❖ Isolation Capability
- ❖ Space and Weight Efficiency
- ❖ Versatility in Fluid Handling
- ❖ Customization of pressure, temperature and metal available.

FOR MORE DETAILS PLEASE VISIT OUR WEBSITE :
<https://cecoindia.net/square-body-ball-valve.php>

TECHNICAL DATA

SIZE	1/8" TO 2" TUBE END CONNECTION
PRESSURE RATING	2500 PSI – 10,000 PSI (WITH DIFFERENT BODY SIZE)
STANDARD MATERIALS	CS, SS 304, SS 316, MONEL , INCONEL & ALL ALLOY GRADES
BALL SEAT	PTFE, PEAK, DEVLON, DERLIN GRAPHITE
TEMPERATURE	-50°C TO 500°C (WITH DIFFERENT BALL SEATS)



BALL VALVE



LOCABLE HANDLE VALVE



FEMALE 2 WAY VALVE



OD 2 WAY VALVE



FEMALE ROUND BODY VALVE



3PCS DESIGN VALVE



HYDRAULIC VALVE



ACTUATOR MOUNTING VALVE



FEMALE ROUND BODY VALVE



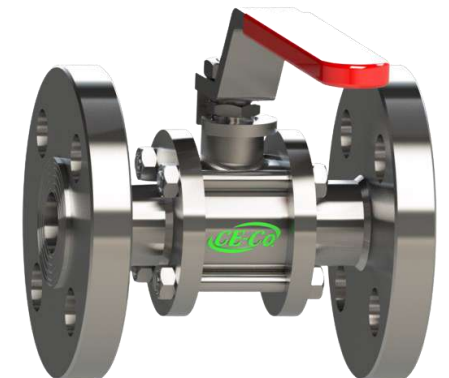
UNION CONNECTION LOCABLE VALVE



FEMALE DOUBLE BLOCK AND BLEED VALVE



DBB FLANGE END VALVE



FLANGE END VALVE

MINI SERIES BALL VALVE

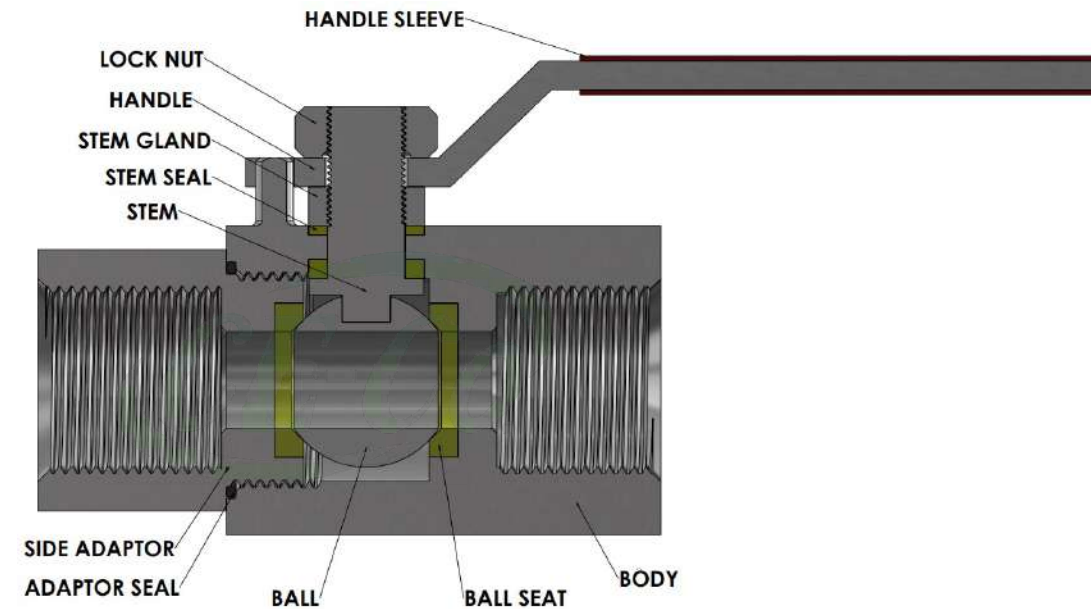
2/1 Piece design with floating ball & internally loaded stem with minimum joints

- ❖ Easy installation.
- ❖ Requires less space.
- ❖ Low torque.
- ❖ Less manufacturing time.
- ❖ Customization of pressure, temperature and metal available.

FOR MORE DETAILS PLEASE VISIT OUR WEBSITE :
<https://cecoindia.net/hex-body-ball-valve.php>

TECHNICAL DATA

SIZE	1/8" TO 3" BSP/BSPT/NPT/S.W/JIC 1/8" TO 2" TUBE END CONNECTION
PRESSURE RATING	1000 PSI TO 10000 PSI (WITH DIFFERENT BODY SIZE)
STANDARD MATERIALS	CS, SS 304, SS 316, BRASS, HASTOLLEY & ALL ALLOY GRADES
BALL SEAT	PTFE, PEAK, DEVLON, DERLIN
TEMPERATURE	-50°C TO 500°C (WITH DIFFERENT BALL SEATS)



MINI SERIES BALL VALVE



FEMALE 2 WAY ROCKET HANDLE



MALE X FEMALE 2 WAY ROCKET HANDLE



OD 2 WAY ROCKET HANDLE VALVE



MALE X OD 2 WAY ROCKET HANDLE



LOCABLE HANDLE FEMALE VALVE



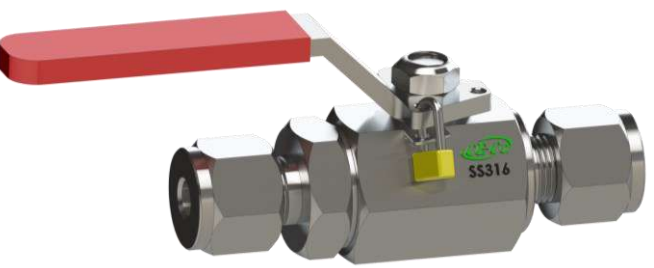
OD 2 WAY VALVE



FEMALE 2 WAY VALVE



FEMALE 2 WAY VALVE



LOCABLE HANDLE OD VALVE



FEMALE MINI BALL VALVE



MALE X FEMALE MINI BALL VALVE



MALE MINI BALL VALVE

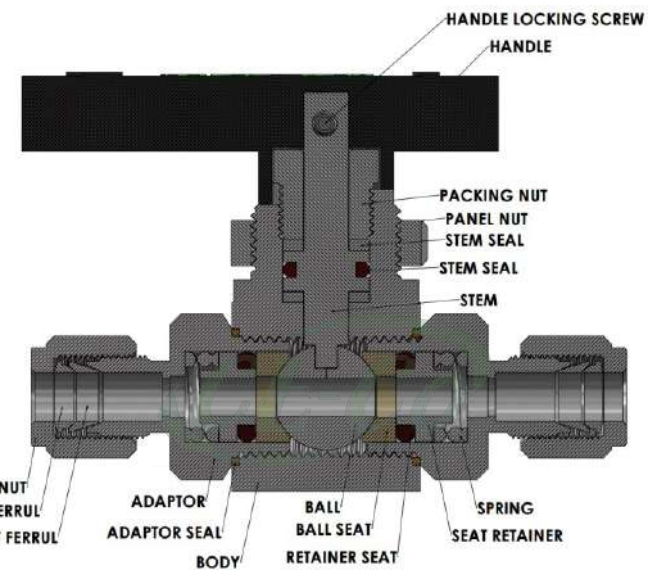
PANEL MOUNTING BALL VALVE

Easy & quick operation with low torque.

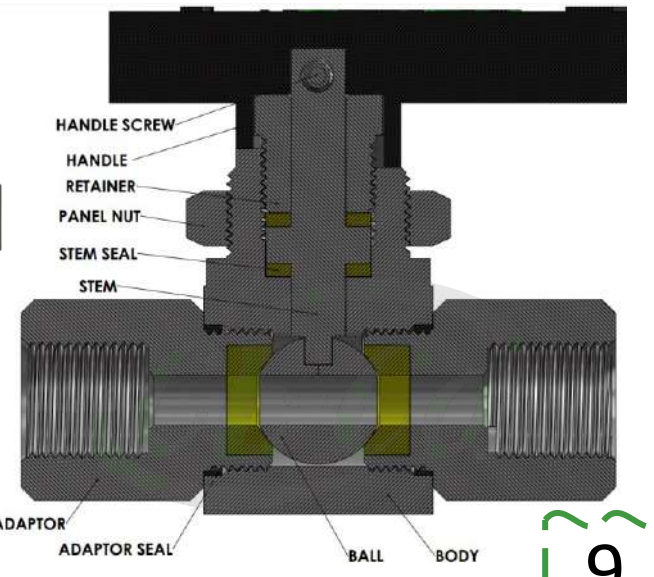
- ❖ Easy installation.
- ❖ Low torque.
- ❖ Easy panel installation.
- ❖ Strong handle
- ❖ Less manufacturing time.
- ❖ Customization available

FOR MORE DETAILS PLEASE VISIT OUR WEBSITE :
<https://cecoindia.net/panel-mounting-ball-valve.php>

HIGH PRESSURE DESIGN



LOW PRESSURE DESIGN



TECHNICAL DATA

SIZE	1/8" TO 1" BSP/BSPT/NPT/S.W/JIC 1/8" TO 1" TUBE END CONNECTION
PRESSURE RATING	1000 PSI TO 10,000 PSI (WITH DIFFERENT BODY SIZE)
STANDARD MATERIALS	SS 304, SS 316, BRASS & ALL ALLOY GRADES
BALL SEAT	PTFE, PEAK, DEVLON, DERLIN
TEMPERATURE	-50°C TO 500°C (WITH DIFFERENT BALL SEATS)

PANEL MOUNTING BALL VALVE



FEMALE 2 WAY VALVE



OD 2 WAY VALVE



FEMALE 3 WAY VALVE



FEMALE 5 WAY VALVE



OD X FEMALE 3 WAY VALVE



OD 5 WAY VALVE



OD L TYPE 3 WAY VALVE



OD 3 WAY VALVE



OD 2 WAY ANGLE VALVE



OD X NPT 2 WAY ANGLE VALVE



FEMALE 2 WAY ANGLE VALVE



FEMALE 3 WAY VALVE



FEMALE 2 WAY VALVE

NEEDLE VALVE

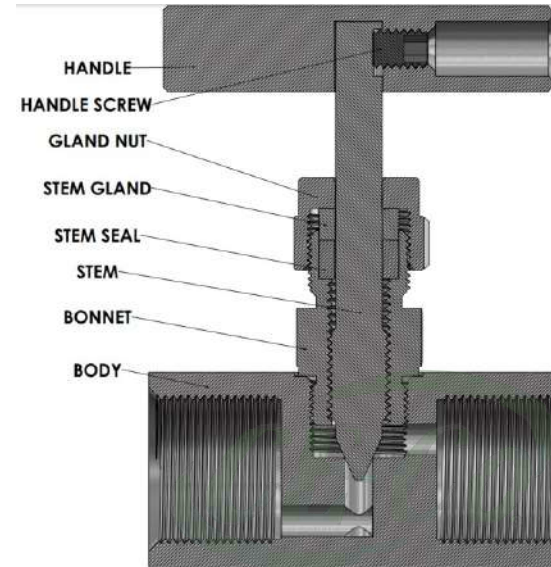
Easy operation, compact design, panel mounting facility & higher accuracy.

- ❖ Accurate flow control which avoids leakages
- ❖ Low operating torques.
- ❖ Easy operation ❖ Customization available.

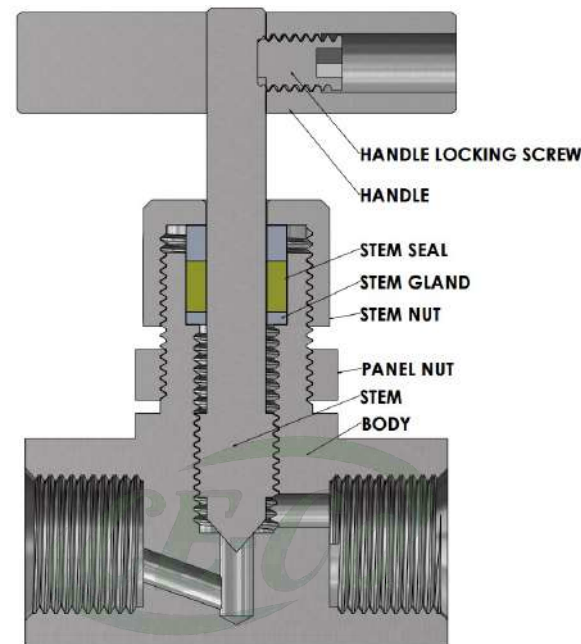
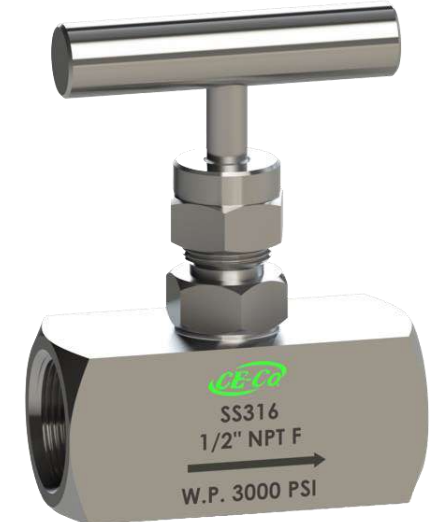
FOR MORE DETAILS PLEASE VISIT OUR WEBSITE :
<https://cecoindia.net/needle-valve.php>

TECHNICAL DATA

SIZE	1/8" TO 3" BSP/BSPT/NPT/S.W/JIC 1/8" TO 2" TUBE END CONNECTION
PRESSURE RATING	1000 PSI TO 15000 PSI (WITH DIFFERENT BODY PATTERN) (STRAIGHT & ANGLE DESIGN)
STANDARD MATERIALS	CS, SS, BRASS & ALL ALLOY GRADES
STEM SEAL	PTFE, GRAPHITE
TEMPERATURE	-50°C TO 500°C



SINGLE BONNET DESIGN



ONE PIECE DESIGN



UNION BONNET NEEDLE VALVE

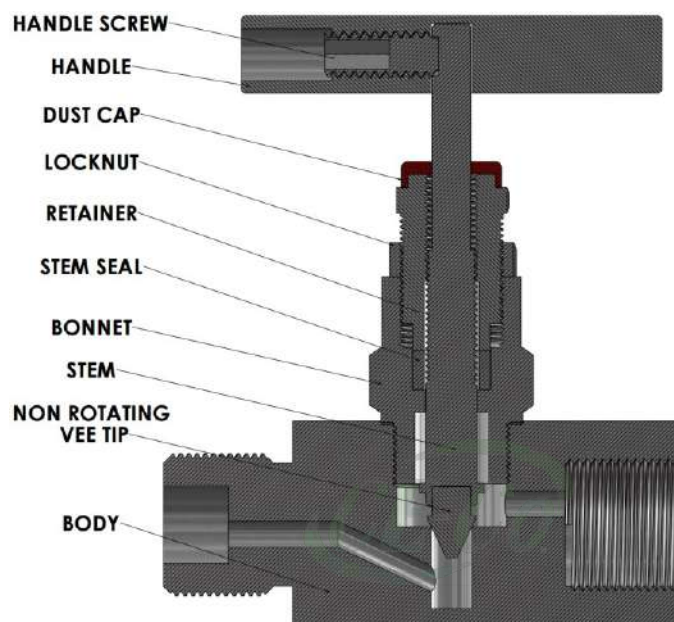
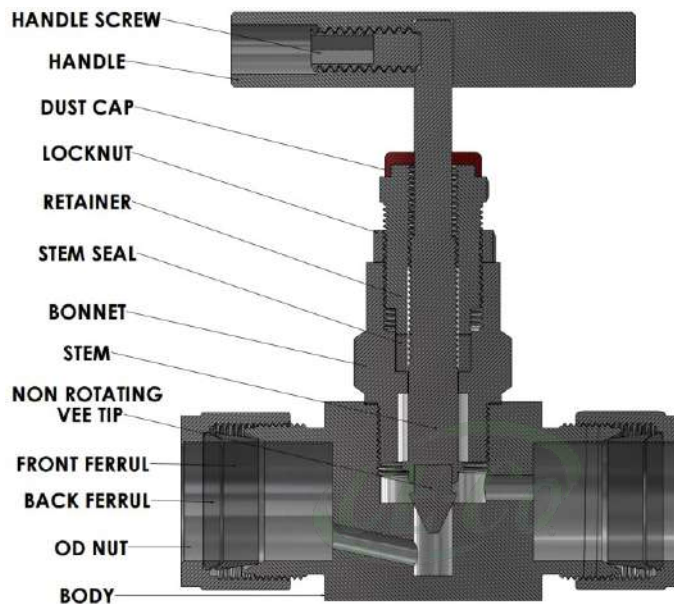
Effortless operation, compact design, precise accuracy

- ❖ Accurate flow control which avoids leakages
- ❖ Low operating torques.
- ❖ Easy operation ❖ Customization available.

FOR MORE DETAILS PLEASE VISIT OUR WEBSITE :
<https://cecoindia.net/needle-valve.php>

TECHNICAL DATA

SIZE	1/8" TO 3" BSP/BSPT/NPT/S.W./JIC 1/8" TO 2" TUBE END CONNECTION
PRESSURE RATING	1000 PSI TO 25,000 PSI (WITH DIFFERENT BODY PATTERN) (STRAIGHT & ANGLE DESIGN)
STANDARD MATERIALS	CS, SS, BRASS & ALL ALLOY GRADES
STEM SEAL	PTFE, GRAPHITE
TEMPERATURE	-50°C TO 500°C



HIGH PRESSURE NEEDLE VALVE

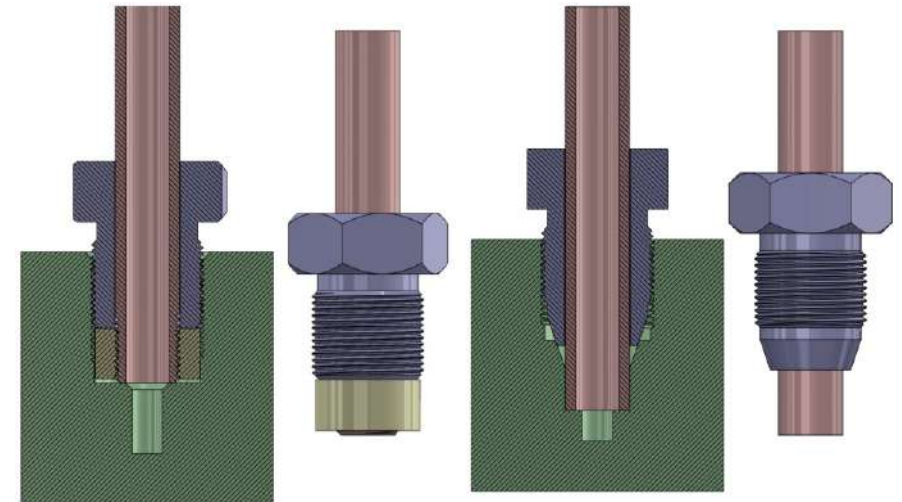
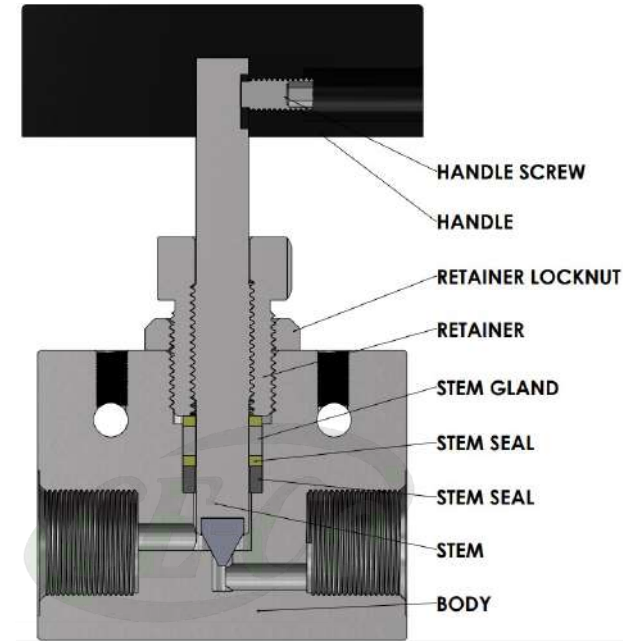
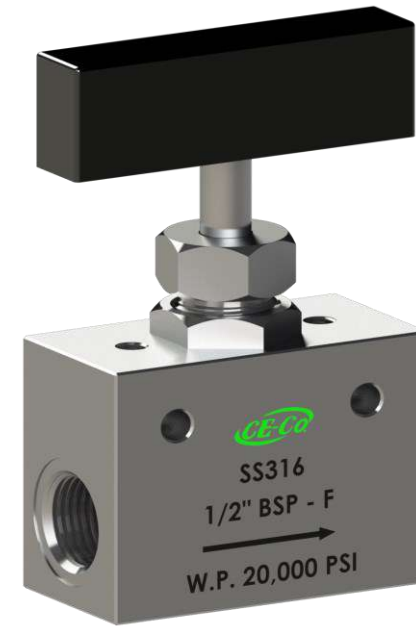
Robust, reliable, designed for precision under extreme pressures

- ❖ Accurate flow control which avoids leakages
- ❖ Low operating torques.
- ❖ Easy operation ❖ Customization available.

FOR MORE DETAILS PLEASE VISIT OUR WEBSITE :
<https://cecoindia.net/needle-valve.php>

TECHNICAL DATA

SIZE	1/8" TO 3" BSP/BSPT/NPT/S.W./JIC 1/8" TO 2" TUBE END CONNECTION
PRESSURE RATING	1000 PSI TO 25,000 PSI (WITH DIFFERENT BODY PATTERN) (STRAIGHT & ANGLE DESIGN)
STANDARD MATERIALS	CS, SS, BRASS & ALL ALLOY GRADES
STEM SEAL	PTFE, GRAPHITE
TEMPERATURE	-50°C TO 500°C



HIGH PRESSURE TUBE END CONNECTIONS

NEEDLE VALVE



M X F UNION BONNET VALVE



FEMALE UNION BONNET VALVE



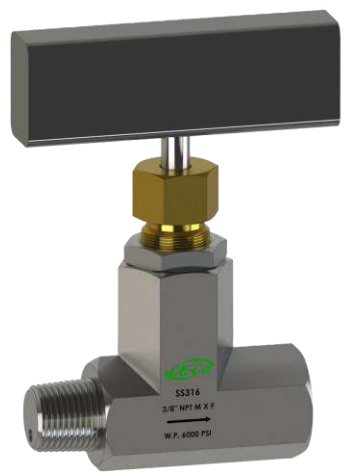
FEMALE PANEL MOUNTING VALVE



FEMALE SINGLE BONNET VALVE



OD SINGLE BONNET VALVE



M X F FORGE BODY VALVE



HIGH PRESSURE VALVE



ANGLE VALVE



HIGH PRESSURE VALVE



OD VALVE IN FORGE BODY



FEMALE VALVE IN FORGE BODY



FLANGE END VALVE



VALVE WITH BLEED PORT

NON-RETURN VALVE

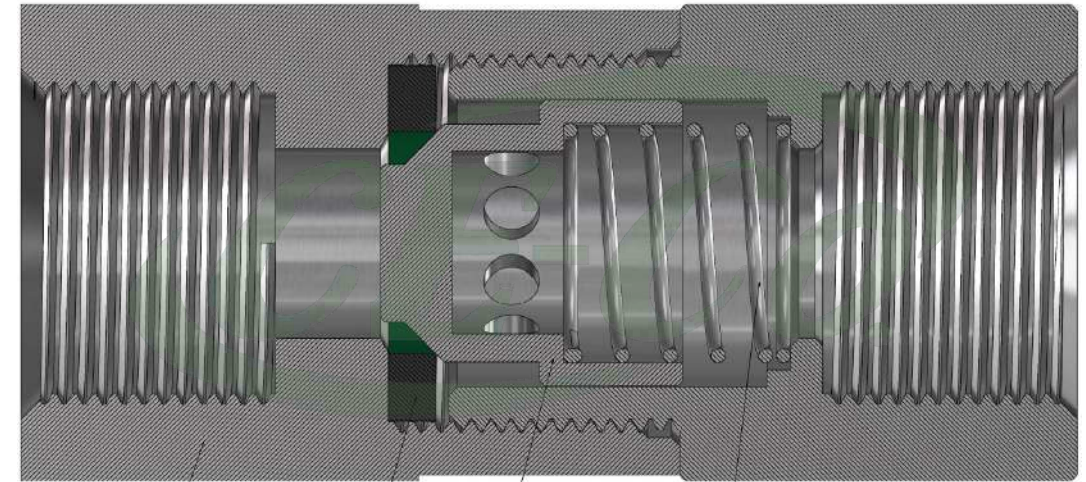
High accuracy, Unidirectional flow, & spring-loaded

- ❖ Compact design.
- ❖ Low operating torques.
- ❖ Minimum cracking pressure.
- ❖ Customization available.
- ❖ Preventing backflow

FOR MORE DETAILS PLEASE VISIT OUR WEBSITE :
<https://cecoindia.net/non-return-valve.php>

TECHNICAL DATA

SIZE	1/8" TO 3" BSP/BSPT/NPT/S.W/JIC 1/8" TO 2" TUBE END CONNECTION
PRESSURE RATING	NPT/BSP - 5 TO 6000 PSI TUBE END - 5 TO 6000 PSI
STANDARD MATERIALS	CS, SS, BRASS, ALL ALLOY GRADES
POPPET SEAT	VITON, PTFE, SILICON, EPDM
TEMPERATURE	-50°C TO 500°C



LOW PRESSURE NON-RETURN VALVE

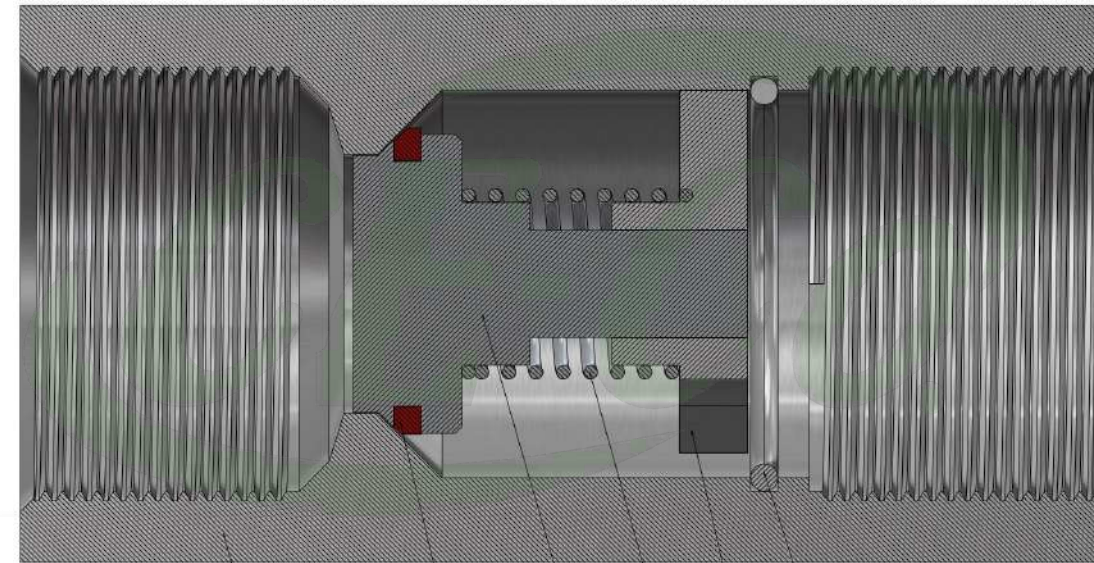
Guarantees precise unidirectional flow control in low-pressure setups, employing a secure poppet sealed by an O-ring for optimal reliability

- ❖ Compact design.
- ❖ Low operating torques.
- ❖ Minimum cracking pressure.
- ❖ Customization available.
- ❖ Preventing backflow

FOR MORE DETAILS PLEASE VISIT OUR WEBSITE :
<https://cecoindia.net/non-return-valve.php>

TECHNICAL DATA

SIZE	1/8" TO 3" BSP/BSPT/NPT/S.W/JIC 1/8" TO 2" TUBE END CONNECTION
PRESSURE RATING	NPT/BSP - 5 TO 3000 PSI TUBE END - 5 TO 3000 PSI
STANDARD MATERIALS	CS, SS, BRASS, ALL ALLOY GRADES
POPPET SEAT	VITON, PTFE, SILICON, EPDM
TEMPERATURE	-50°C TO 500°C



BODY

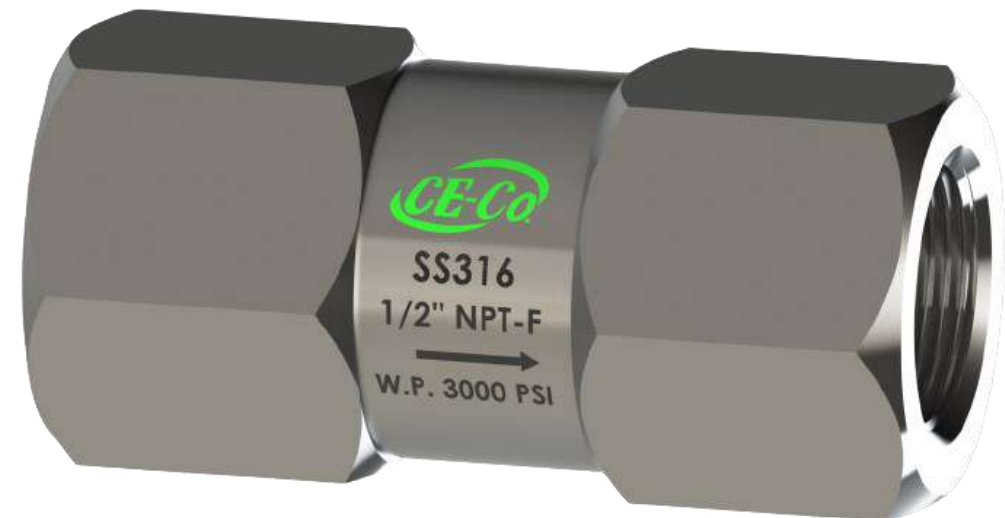
STEM SEAL

STEM

SPRING

STEM DISK

DISK LOCKING RING



HIGH PRESSURE NON-RETURN VALVE

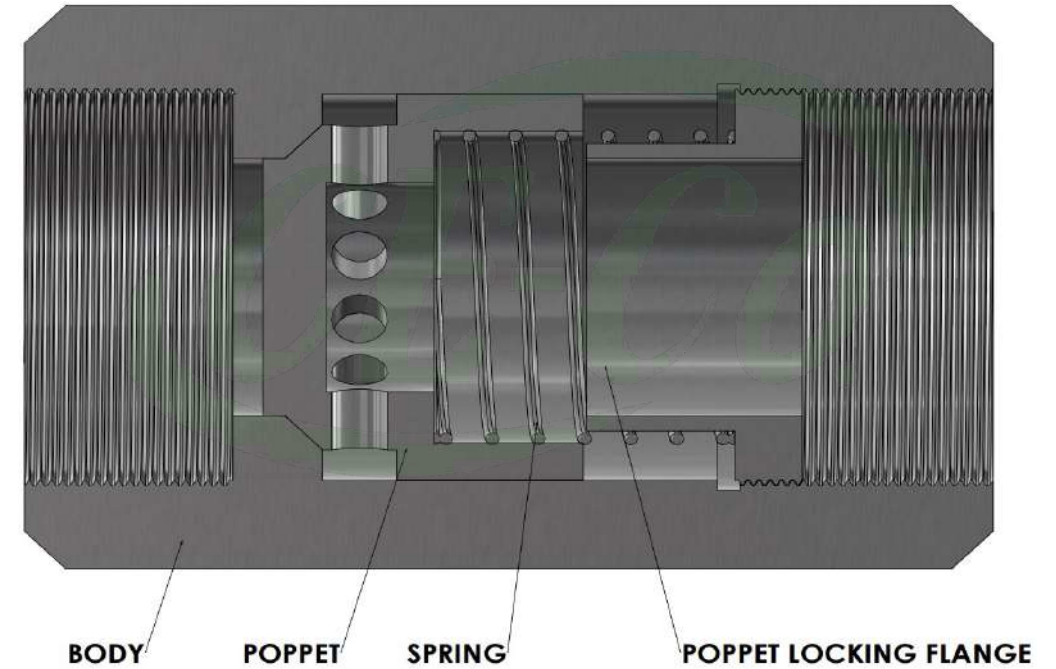
Unrivaled unidirectional flow control in high-pressure environments, employing a durable metal-to-metal design for superior reliability and integrity

- ❖ Compact design.
- ❖ Low operating torques.
- ❖ Minimum cracking pressure.
- ❖ Customization available.
- ❖ Preventing backflow

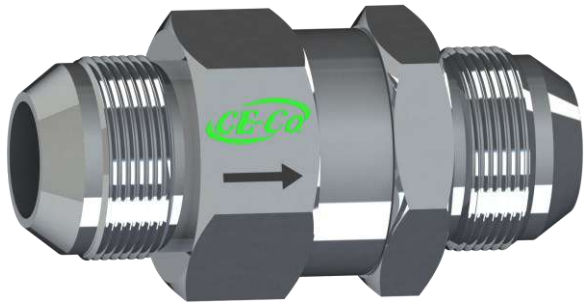
FOR MORE DETAILS PLEASE VISIT OUR WEBSITE :
<https://cecoindia.net/non-return-valve.php>

TECHNICAL DATA

SIZE	1/8" TO 3" BSP/BSPT/NPT/S.W/JIC 1/8" TO 2" TUBE END CONNECTION
PRESSURE RATING	NPT/BSP - 5 TO 25000 PSI TUBE END - 5 TO 6000 PSI
STANDARD MATERIALS	CS, SS, BRASS, ALL ALLOY GRADES
POPPET SEAT	VITON, PTFE, SILICON, EPDM
TEMPERATURE	-50°C TO 500°C



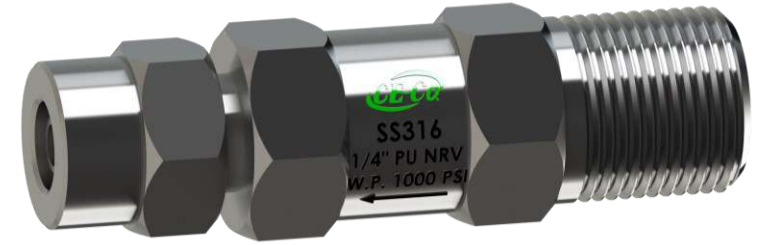
NON-RETURN VALVE (NRV)



JIC X JIC VALVE



MALE X MALE VALVE



PU CONNECTION VALVE



MALE X MALE VALVE



MALE FEMALE VALVE



OD X OD VALVE



MALE X FEMALE VALVE



FEMALE X FEMALE VALVE



FLANGE END NRV

PRESSURE RELIEF VALVE

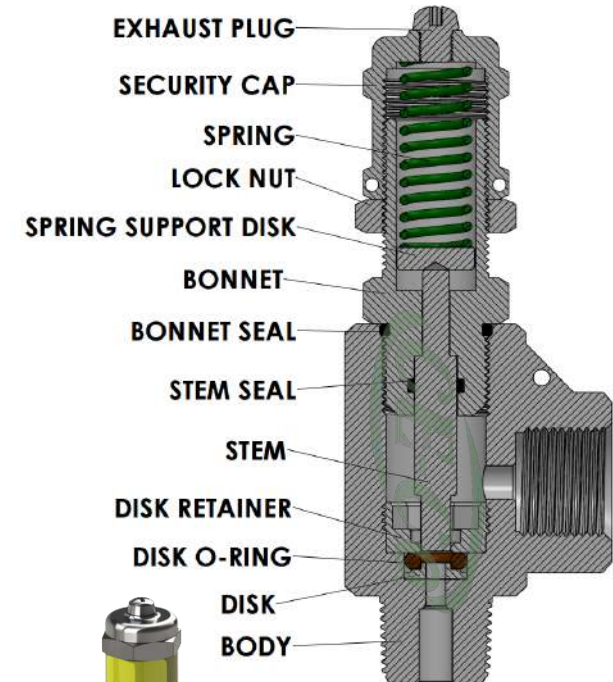
Designed to protect over pressure incident

- ❖ Overpressure Protection
- ❖ Adjustable Settings
- ❖ Fail-Safe Operation
- ❖ Redundancy and Reliability
- ❖ Customization available.

FOR MORE DETAILS PLEASE VISIT OUR WEBSITE :
<https://cecoindia.net/safety-valve.php>

TECHNICAL DATA

SIZE	1/8" TO 3" BSP/BSPT/NPT/S.W/JIC 1/8" TO 2" TUBE END CONNECTION
PRESSURE RATING	1BAR TO 1250 BAR WITH DIFFRENT SPRING AND BODY
STANDARD MATERIALS	SS316/SS304 AND ALL ALLOY GRADES
SEAL'S	VITON , SILICON, PTFE
TEMPERATURE	-50°C TO 500°C



Precision Under Pressure: Customizable Safety Valves in
Premium Alloys, Trusted by Parker Hannifin Bangalore.

LOW PRESSURE RELIEF VALVE

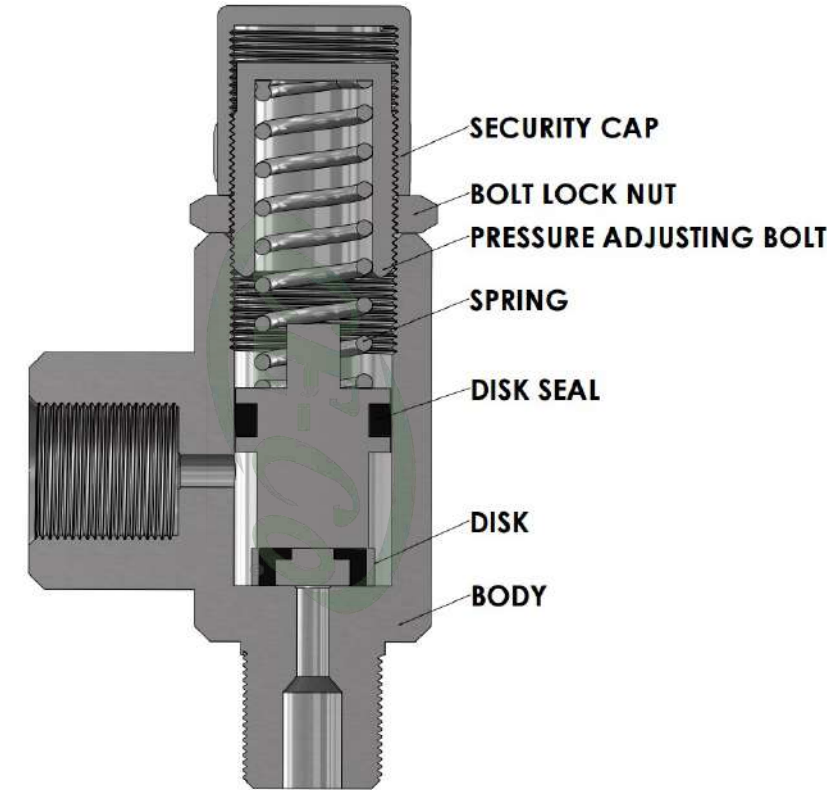
Engineered to safeguard against low-pressure incidents, ensuring system protection and stability

- ❖ Overpressure Protection
- ❖ Adjustable Settings
- ❖ Fail-Safe Operation
- ❖ Redundancy and Reliability
- ❖ Customization available.

FOR MORE DETAILS PLEASE VISIT OUR WEBSITE :
<https://cecoindia.net/safety-valve.php>

TECHNICAL DATA

SIZE	1/8" TO 3" BSP/BSPT/NPT/S.W/JIC 1/8" TO 2" TUBE END CONNECTION
PRESSURE RATING	0.5BAR TO 100 BAR WITH DIFFRENT SPRING AND BODY
STANDARD MATERIALS	SS316/SS304 AND ALL ALLOY GRADES
SEAL'S	VITON , SILICON, PTFE
TEMPERATURE	-50°C TO 500°C



FLANGED END PRESSURE RELIEF VALVE

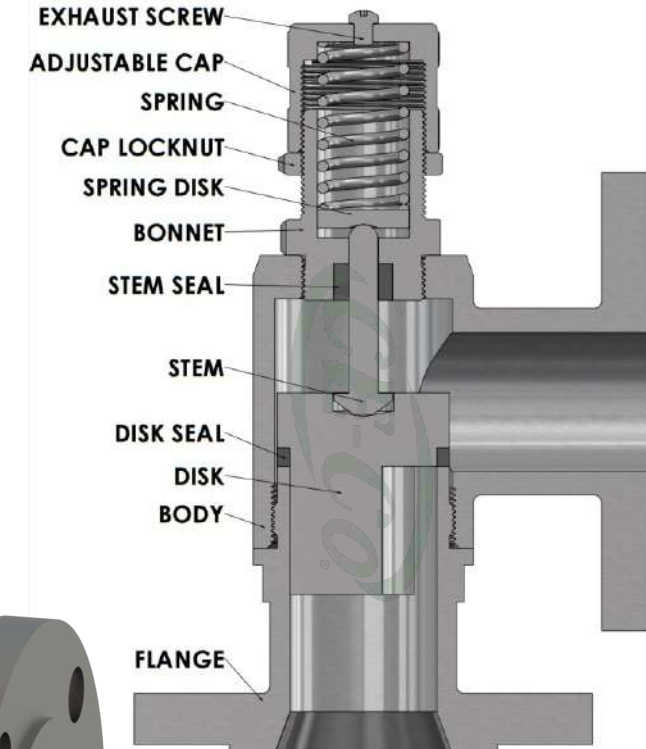
Safeguarding systems with precision, reliability, and easy integration through its flanged design

- ❖ Overpressure Protection
- ❖ Adjustable Settings
- ❖ Fail-Safe Operation
- ❖ Redundancy and Reliability
- ❖ Customization available.

FOR MORE DETAILS PLEASE VISIT OUR WEBSITE :
<https://cecoindia.net/safety-valve.php>

TECHNICAL DATA

SIZE	1/2" TO 4" FLANGE END/ TC END
PRESSURE RATING	1 BAR TO 1250 BAR WITH DIFFRENT SPRING AND BODY
STANDARD MATERIALS	SS316/SS304 AND ALL ALLOY GRADES
SEAL'S	VITON , SILICON, PTFE
TEMPERATURE	-50°C TO 500°C



PRESSURE RELIEF VALVE



FLANGE END VALVE



TC END VALVE



M X F BARSTOCK VALVE



M X F LOW PRESSURE DESIGN VALVE



OD X NPT-M VALVE LOW PRESSURE



OD X OD LOW PRESSURE VALVE



OD X NPT-M HIGH PRESSURE DESIGN VALVE



MALE X FEMALE VALVE



OD X OD VALVE



HIGH PRESSURE STRAIGHT VALVE



LOW PRESSURE STRAIGHT VALVE



LOW PRESSURE STRAIGHT VALVE



MINI VALVE

2 WAY MANIFOLD VALVE

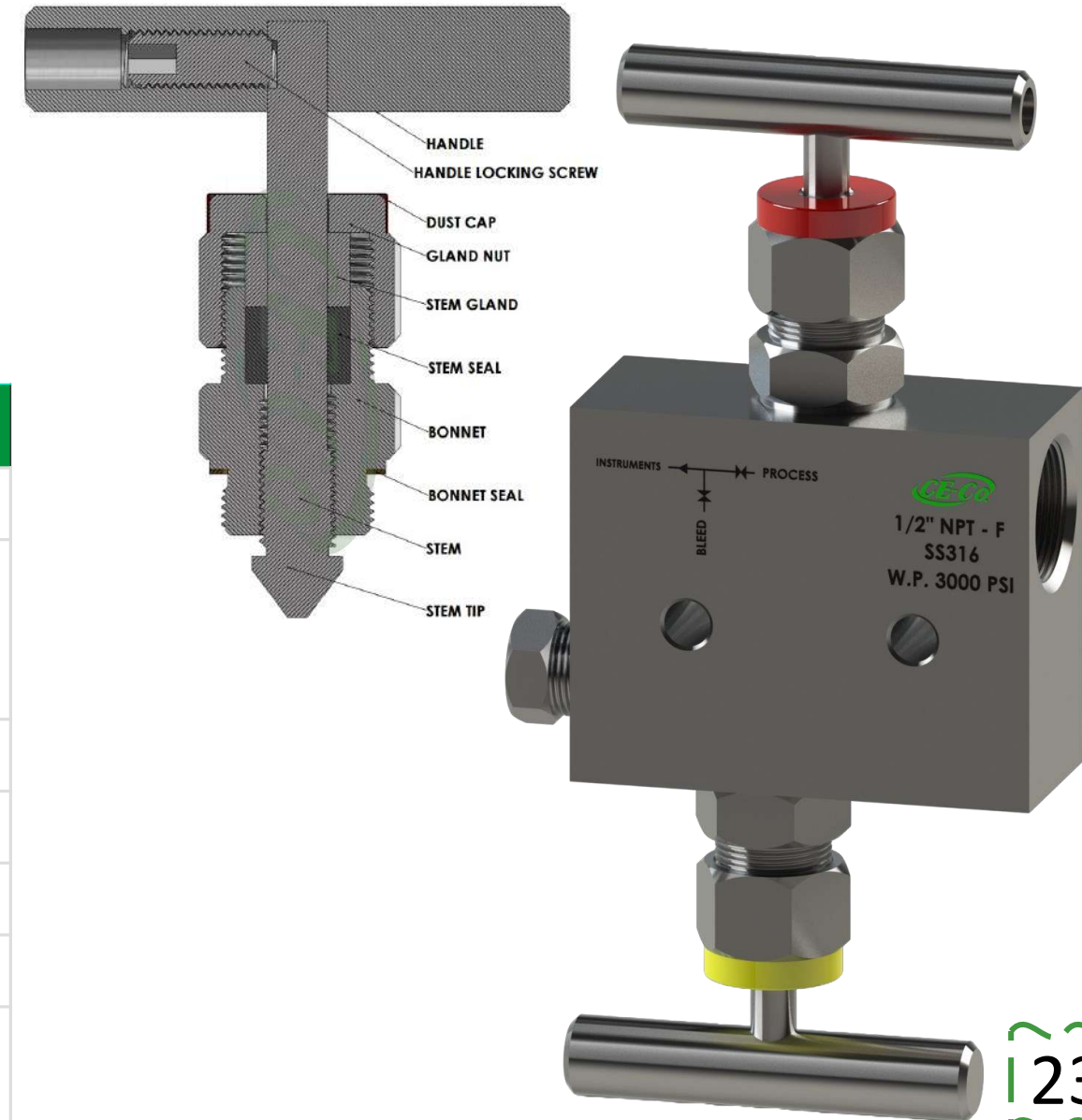
Efficient fluid control solutions for diverse applications through 2-way MANIFOLD

- ❖ Simplified Flow Control
- ❖ Compact Design
- ❖ Versatile Configurations
- ❖ Enhanced Maintenance
- ❖ Customization available.

FOR MORE DETAILS PLEASE VISIT OUR WEBSITE :
<https://cecoindia.net/manifold-valve-2way.php>

2 Way Manifold Valve

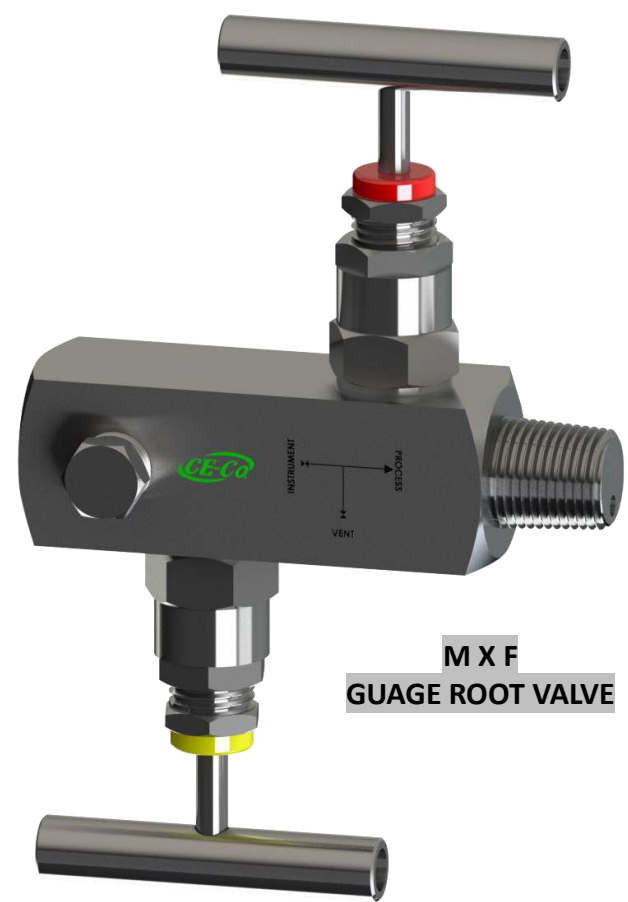
2 Way Manifold Valve	
Title	2 Way Manifold Valve
Connection	Female x Female Connection Female x Male Connection Female x Flange Connection
Configurations	2 Way
Seal's	PTFE and all type of packings
Working Pressure Range	UPTO 10,000PSI
Temperature Rating	-50°C TO 500°C
Body Material	SS 316 ,SS 304 , & All alloy grades



2 WAY MANIFOLD VALVE



**SINGLE BONNET
REMOTE MOUNTING**



**M X F
GUAGE ROOT VALVE**



**UNION BONNET
REMOTE MOUNTING**



**F X F
GUAGE ROOT VALVE**



T TYPE VALVE

3 WAY MANIFOLD VALVE

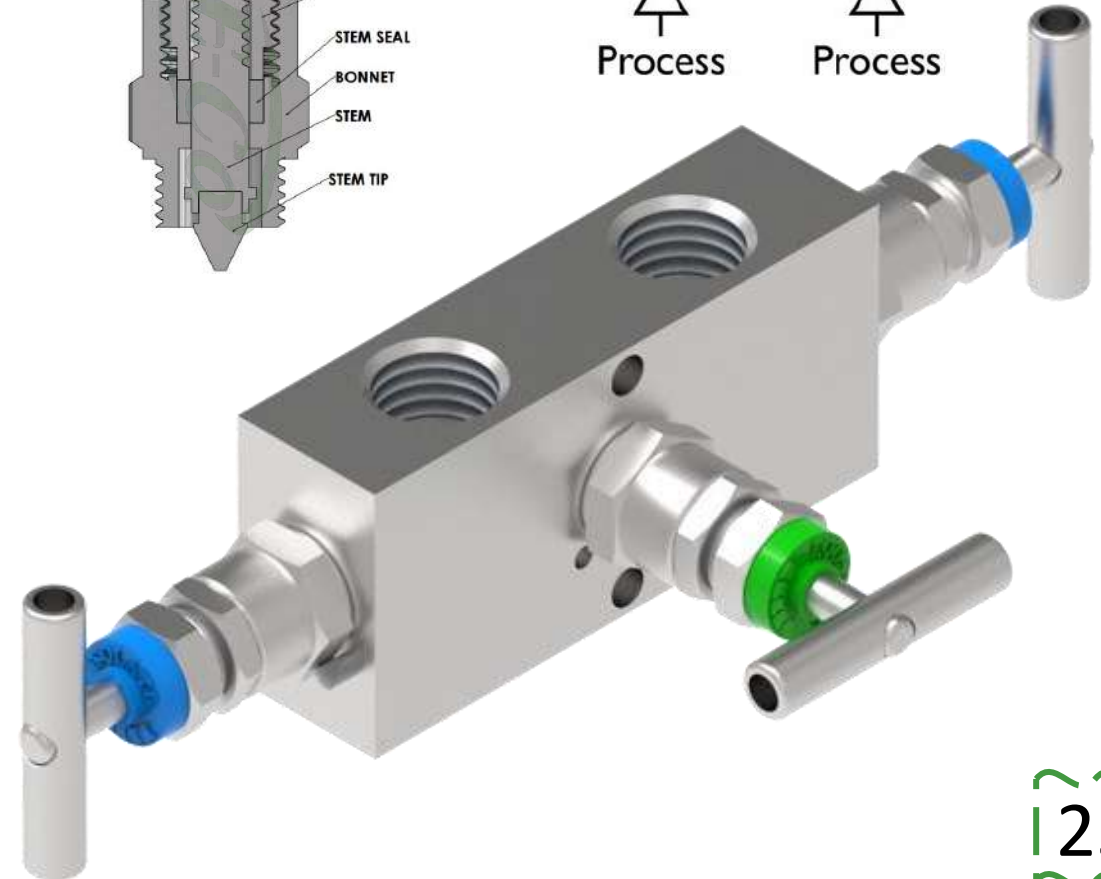
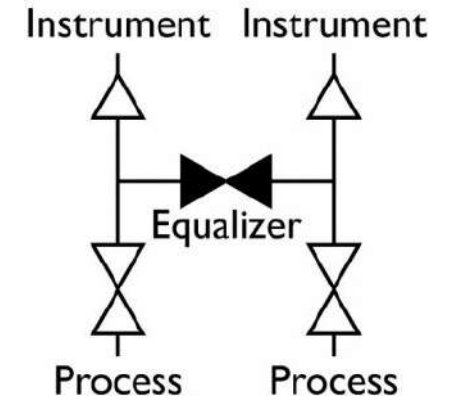
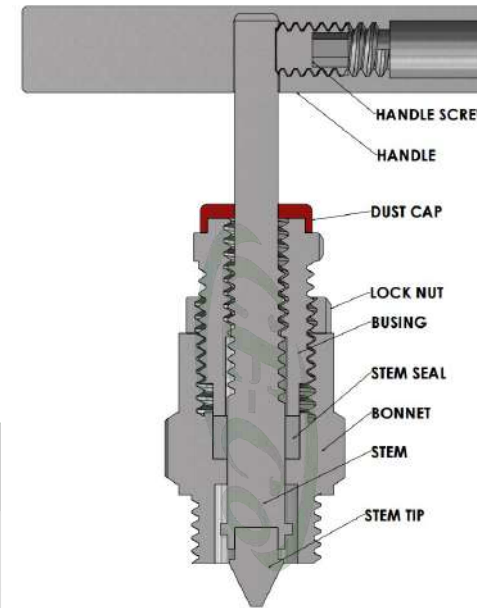
Efficient fluid control solutions for diverse applications through 3-way MANIFOLD

- ❖ Diverse Flow Paths
- ❖ Fluid Mixing Capability
- ❖ Precise Regulation
- ❖ Customizable Functions
- ❖ Customization available.

FOR MORE DETAILS PLEASE VISIT OUR WEBSITE :
<https://cecoindia.net/manifold-valve-3way.php>

Manifold Valve 3 Way

Title	3 Way Manifold Valve
Connection	Female x Female Connection Female x Flange Connection Flange x Flange
Configurations	3 Way
Seal's	PTFE and all type of packings
Working Pressure Range	10,000PSI
Temperature Rating	-50°C TO 500°C
Body Material	SS 316 ,SS 304 , & All alloy grades



3 WAY MANIFOLD VALVE



REMOTE MOUNTING



DIRECT MOUNTING



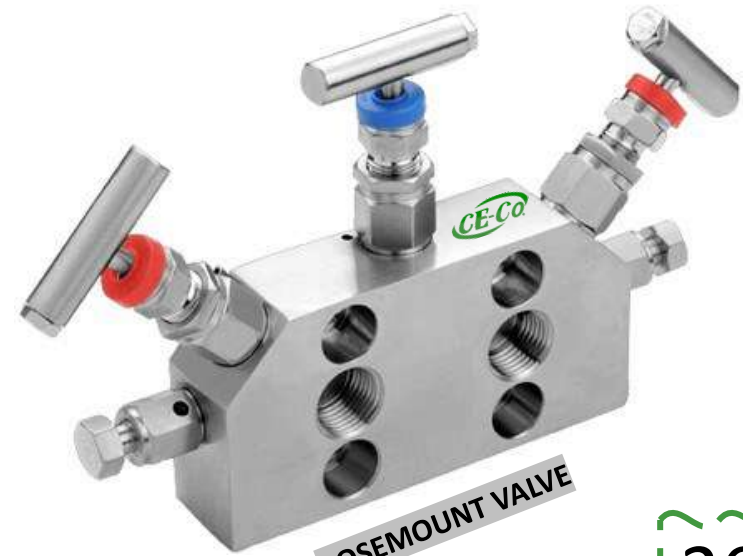
REMOTE MOUNTING



H TYPE VALVE



T TYPE VALVE



ROSEMOUNT VALVE

5 WAY MANIFOLD VALVE

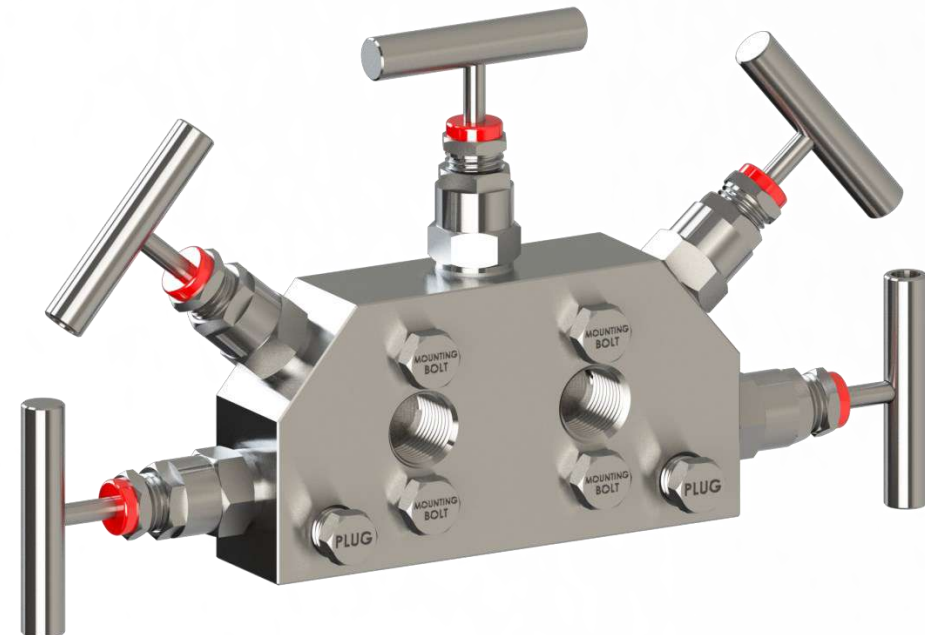
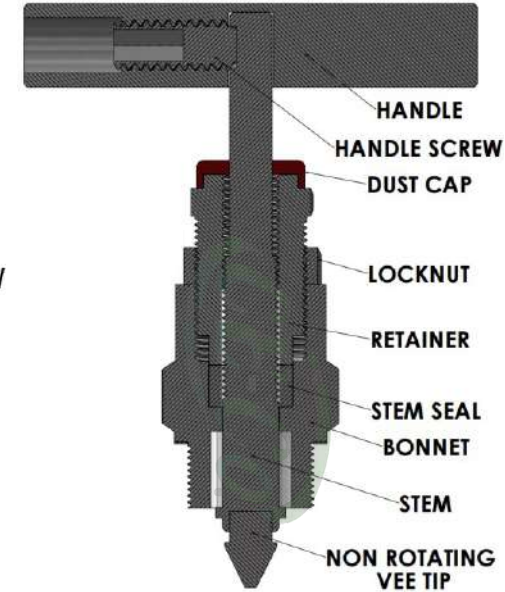
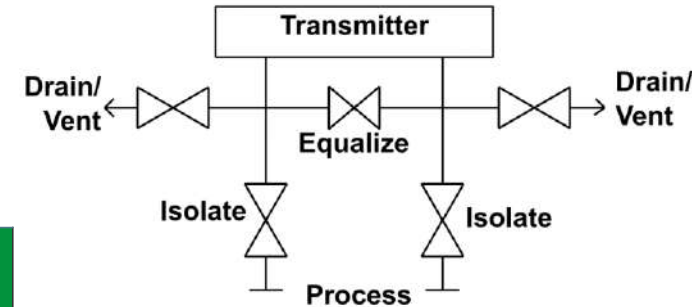
Efficient fluid control solutions for diverse applications through 5-way MANIFOLD

- ❖ Streamlined Fluid Management
- ❖ Simultaneous Operations
- ❖ Complex System Integration
- ❖ Optimized Performance
- ❖ Customization available.

FOR MORE DETAILS PLEASE VISIT OUR WEBSITE :
<https://cecoindia.net/manifold-valve-5way.php>

Manifold Valve 5 Way

Title	5 Way Manifold Valve
Connection	Female x Female Connection Female x Flange Connection Flange x Flange
Configurations	5 Way
Seal's	PTFE and all type of packings
Working Pressure Range	10,000PSI
Temperature Rating	-50°C TO 500°C
Body Material	SS 316 ,SS 304 , & All alloy grades



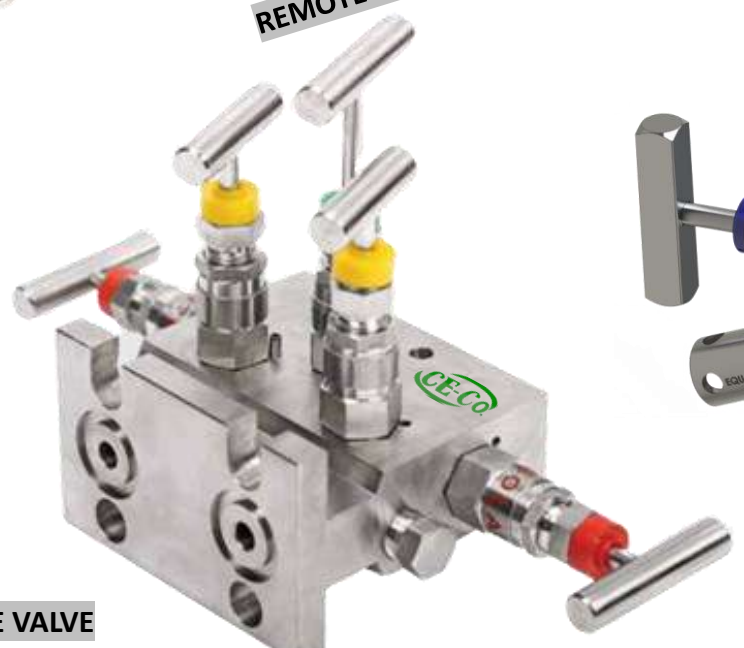
5 WAY MANIFOLD VALVE



REMOTE MOUNTING VALVE



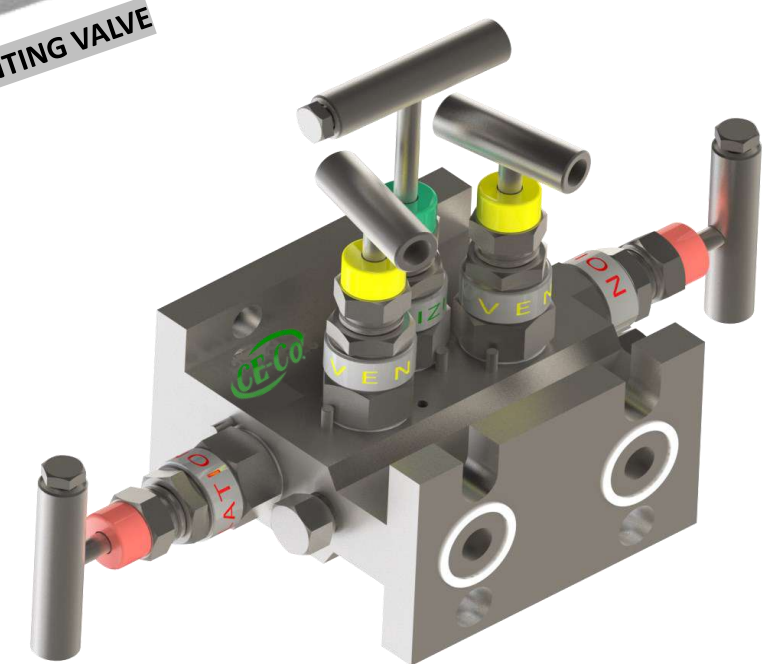
ROSE MOUNTING VALVE



T TYPE VALVE



4 VALVE MANIFOLD



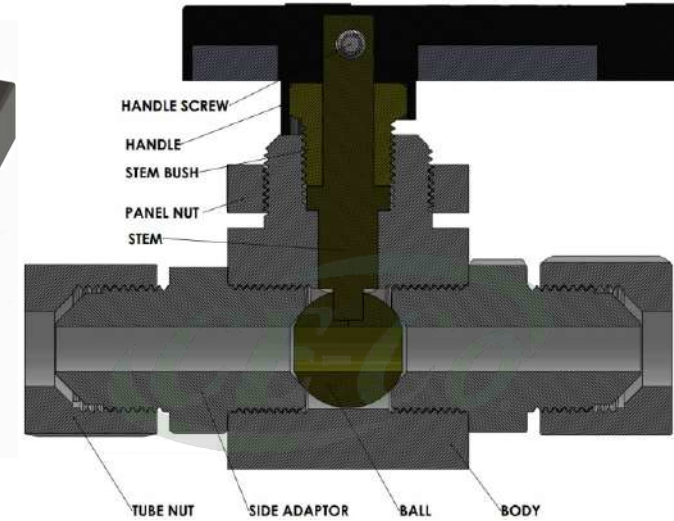
H TYPE VALVE

PTFE VALVE AND FITTINGS

Unrivalled chemical resistance and reliability in fluid handling

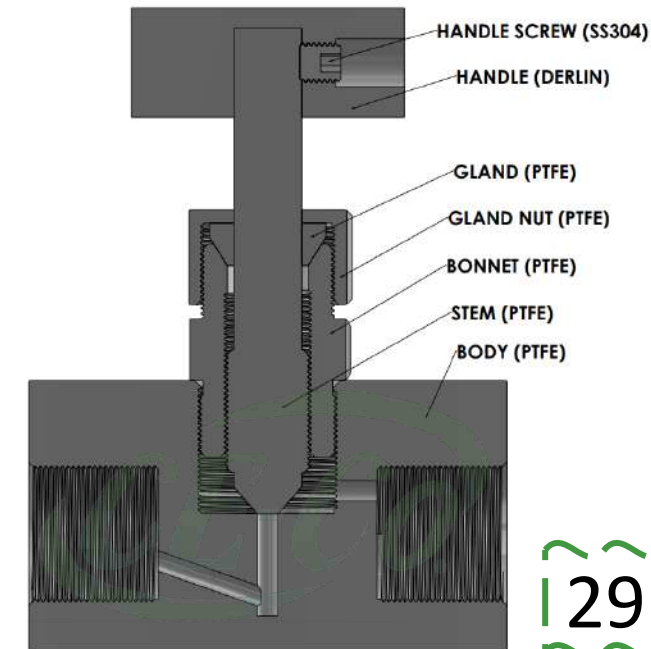
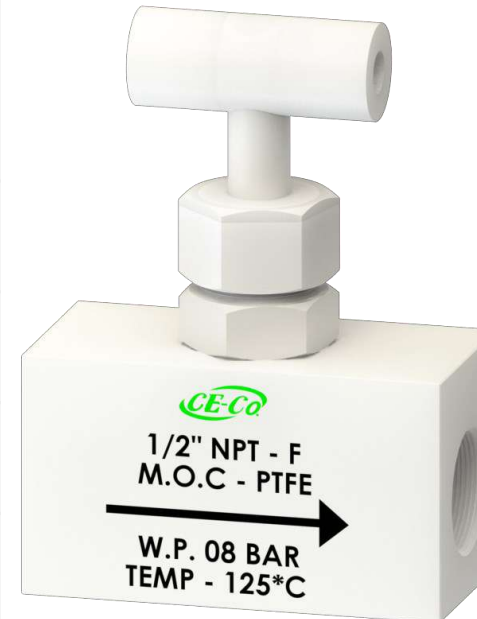
- ❖ Exceptional Chemical Resistance
- ❖ High-Temperature Stability
- ❖ Ultra-Low Friction
- ❖ Non-Stick Properties
- ❖ Customization available.

FOR MORE DETAILS PLEASE VISIT OUR WEBSITE :
<https://cecoindia.net/ptfe-valves-and-fitting.php>



TECHNICAL DATA

SIZE	1/8" TO 2" BSP/BSPT/NPT/JIC/FLANGE END 1/8" TO 1" TUBE END CONNECTION
PRESSURE RATING	10 BAR
STANDARD MATERIALS	PTFE/P.P/PEEK
SEAT'S	NA
TEMPERATURE	0 TO 150° C



PTFE VALVES AND FITTINGS



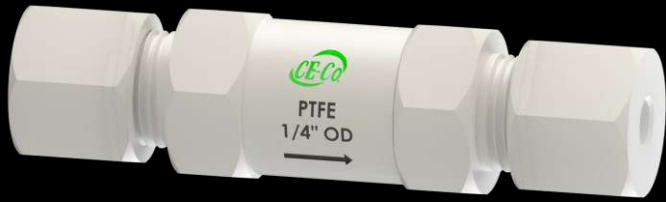
FEMALE NEEDLE VALVE



OD PANEL MOUNTING NEEDLE VALVE



PANEL MOUNTING BALL VALVE



OD NON RETURN VALVE



FEMALE Y TYPE STAINER



FEMALE X FLANGED END BALL VALVE



FLOW INDICATOR



UNION CONNECTOR



3 WAY MANIFOLD VALVE



BLOCK AND BLEED VALVE



OD X FEMALE CONNECTOR



OD X MALE CONNECTOR



OD BULKHEAD UNION



OD EQUAL TEE



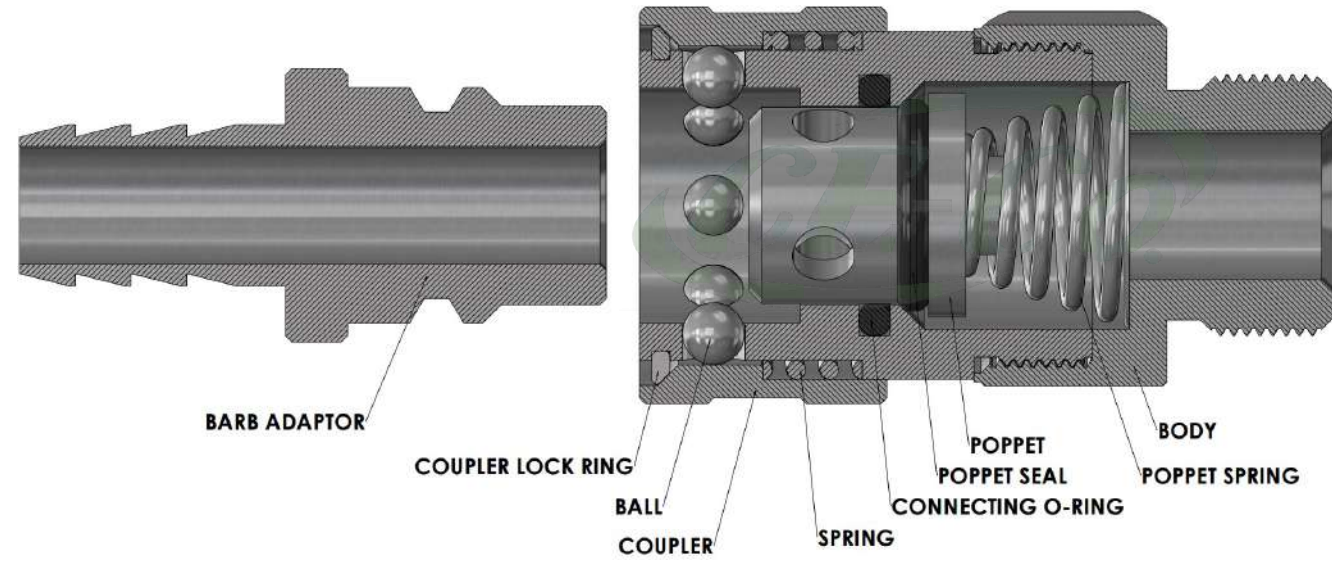
OD EQUAL ELBOW

SINGLE CHECK QUICK RELEASE COUPLING

Efficient and swift fluid connections facilitated

- ❖ Rapid Connectivity
- ❖ Diverse Applications
- ❖ Leak Prevention
- ❖ User-Friendly Design
- ❖ Customization available.

FOR MORE DETAILS PLEASE VISIT OUR WEBSITE :
<https://cecoindia.net/quick-release-coupling.php>



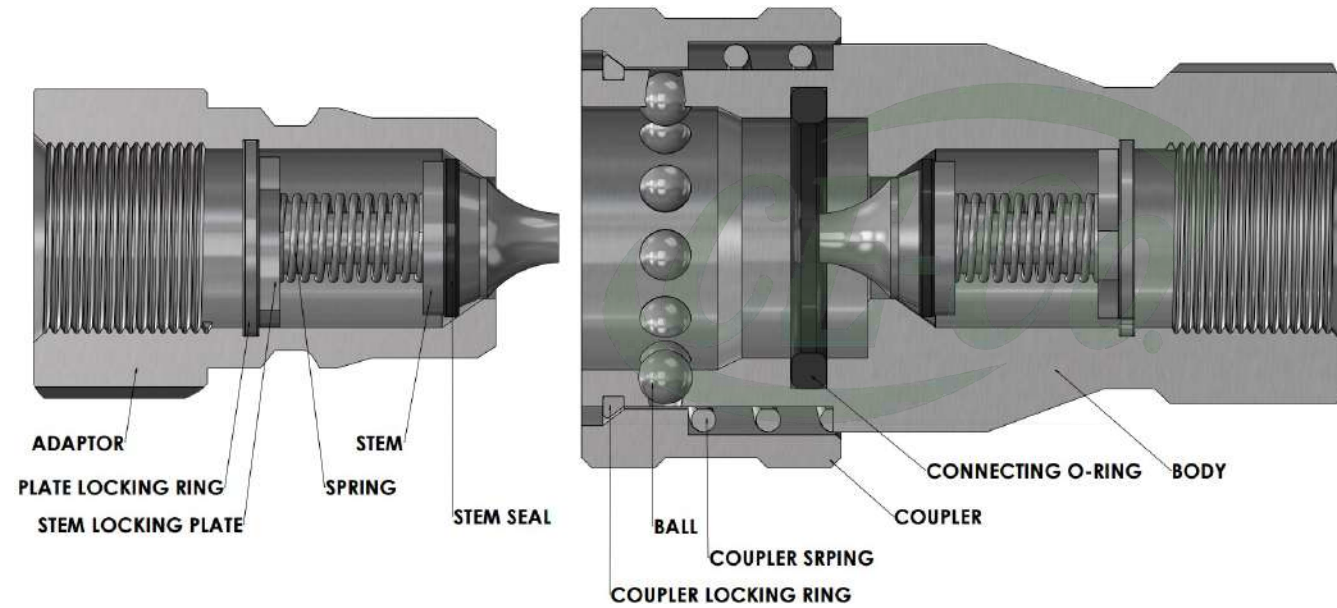
Quick Release Coupling	
Title	QRC (Double Check / Single Check / Through Hole)
Size Range	1/8" To 3" (BSP / NPT / Metrics / Hose)
Connection	Female x Female Connection Female x Male Connection Male x Male Connection Male x Hose Connection Female x Hose Connection Hose x Hose Connection
Configurations	2 Way
Seal	Viton
Working Pressure Range	500 PSI to 10000PSI
Temperature Rating	-50° C to 500° C
Body Material	SS 316 SS 304 MS Brass All Types Of Alloy Steel Grade

DOUBLE CHECK QUICK RELEASE COUPLING

Efficient and swift fluid connections facilitated

- ❖ Rapid Connectivity
- ❖ Leak Prevention
- ❖ Customization available.
- ❖ Diverse Applications
- ❖ User-Friendly Design

FOR MORE DETAILS PLEASE VISIT OUR WEBSITE :
<https://cecoindia.net/quick-release-coupling.php>



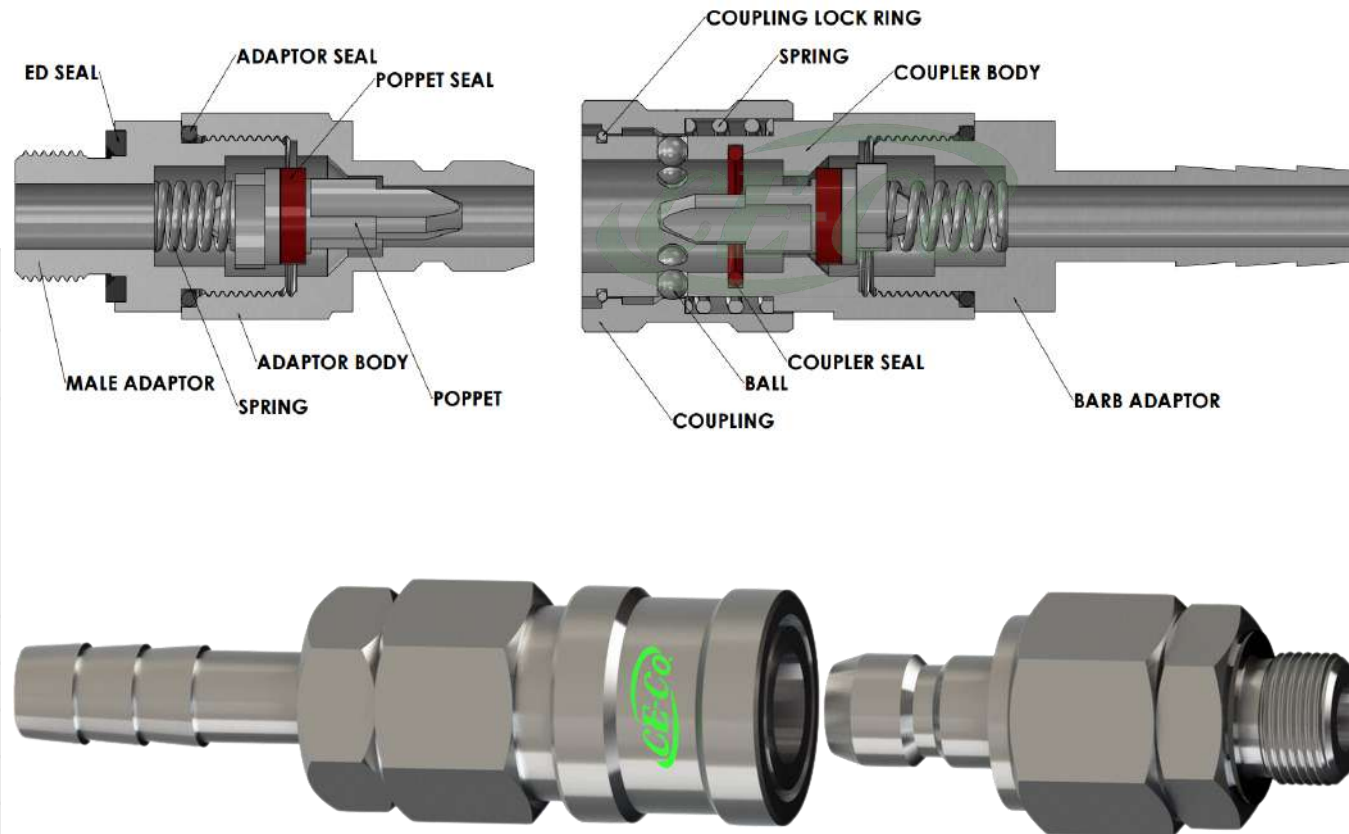
Quick Release Coupling	
Title	QRC (Double Check / Single Check / Through Hole)
Size Range	1/8" To 3" (BSP / NPT / Metrics)
Connection	Female x Female Connection Female x Male Connection Male x Male Connection Male x Hose Connection Female x Hose Connection Hose x Hose Connection
Configurations	2 Way
Seal	Viton
Working Pressure Range	500 PSI to 10000PSI
Temperature Rating	-50° C to 500° C
Body Material	SS 316 SS 304 MS Brass All Types Of Alloy Steel Grade

BARB DOUBLE CHECK QUICK RELEASE COUPLING

Allow for a firm grip and a leak-resistant connection

- ❖ Rapid Connectivity
- ❖ Leak Prevention
- ❖ Customization available.
- ❖ Diverse Applications
- ❖ User-Friendly Design

FOR MORE DETAILS PLEASE VISIT OUR WEBSITE :
<https://cecoindia.net/quick-release-coupling.php>



Quick Release Coupling

Title	QRC (Double Check / Single Check / Through Hole)
Size Range	1/8" To 3" (BSP / NPT / Metrics / Hose)
Connection	Female x Female Connection Female x Male Connection Male x Male Connection Male x Hose Connection Female x Hose Connection Hose x Hose Connection
Configurations	2 Way
Seal	Viton
Working Pressure Range	500 PSI to 10000PSI
Temperature Rating	-50° C to 500° C
Body Material	SS 316 SS 304 MS Brass All Types Of Alloy Steel Grade

QUICK RELEASE COUPLING (QRC)



DOUBLE CHECK VALVE



THROUGH HOLE COUPLER



**M X F DOUBLE CHECK
HIGH PRESSURE VALVE**



**MALE JIC
DOUBLE CHECK VALVE**



**MALE X HOSE
SINGLE CHECK VALVE**



FEMALE DOUBLE CHECK



FEMALE FLAT FACE DOUBLE CHECK VALVE



HIGH PRESSURE FEMALE DOUBLE CHECK VALVE

PRESSURE REGULATOR

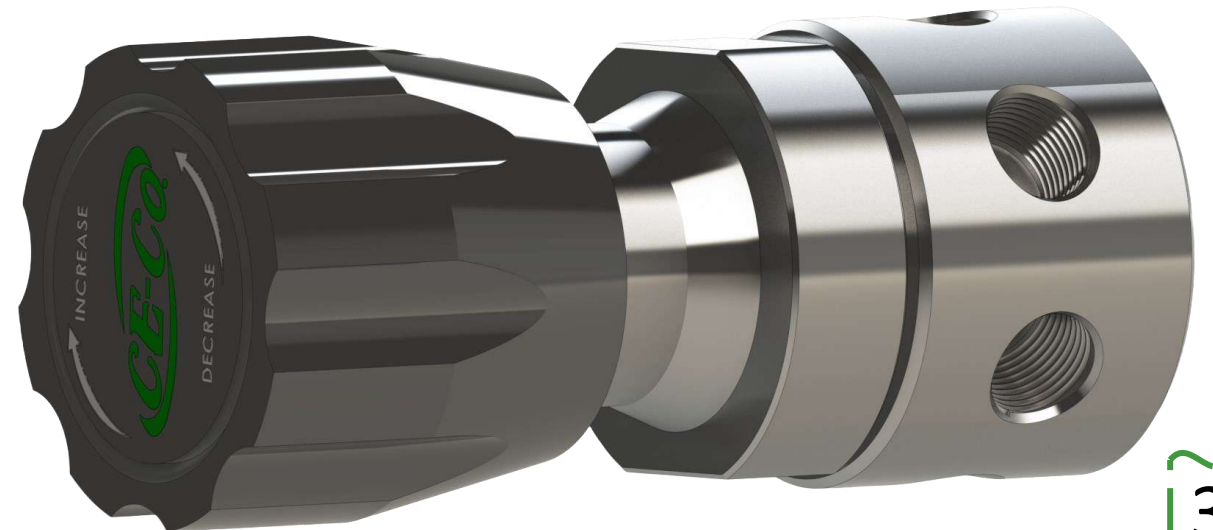
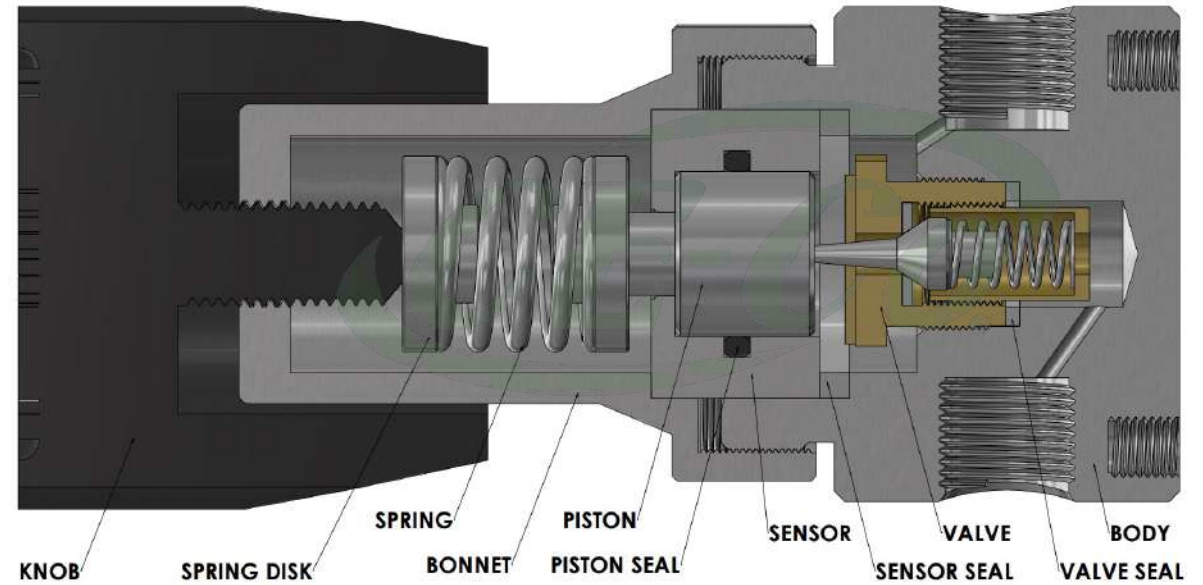
controls fluid pressure to ensure optimal system performance and safety

- ❖ Precision Control
- ❖ Energy Efficiency
- ❖ Customization available.
- ❖ Safety Enhancement
- ❖ Versatility

FOR MORE DETAILS PLEASE VISIT OUR WEBSITE :
<https://cecoindia.net>

PRESSURE REGULATOR

Title	PRESSURE REGULATORS
Size Range	1/8" To 2" (BSP / NPT)
Connection	Female x Female Connection Female x Male Connection Male x Male Connection
Configurations	AS PER REQUIREMENT
Seal	AS PER REQUIREMENT
Working Pressure Range	AS PER REQUIREMENT
Temperature Rating	AS PER REQUIREMENT
Body Material	SS 316 SS 304 MS Brass All Types Of Alloy Steel Grade



PRESSURE REGULATOR WITH VENT

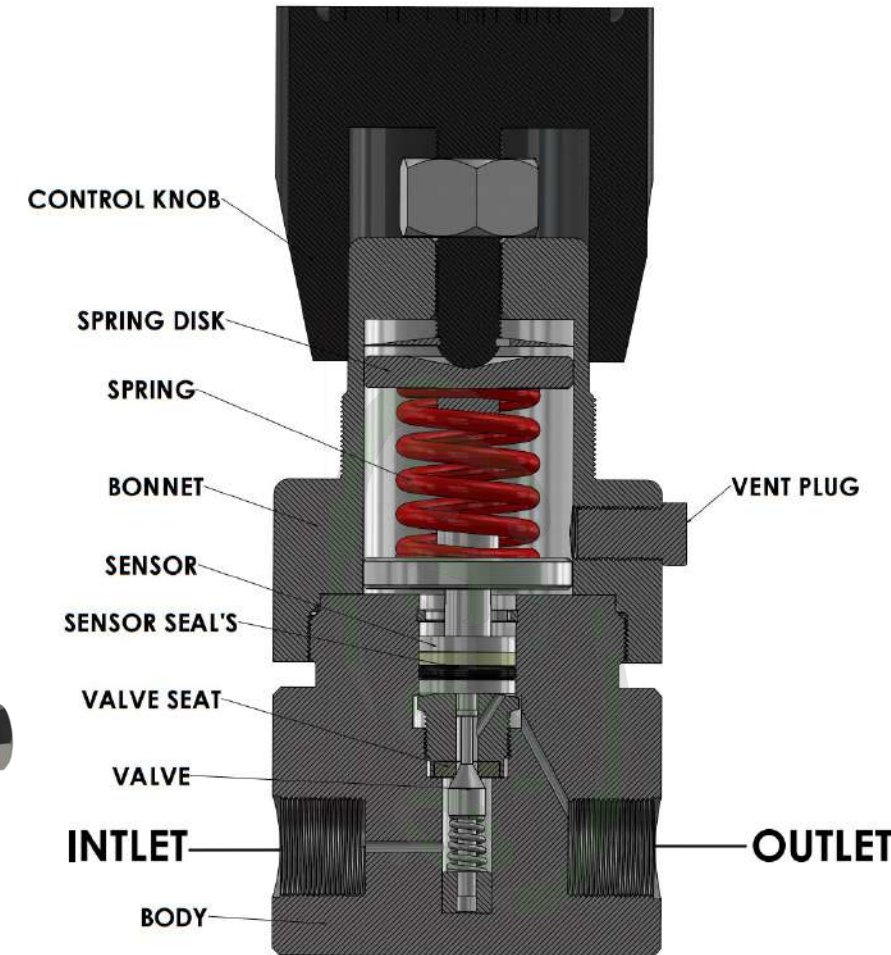
controls fluid pressure to ensure optimal system performance and safety

- ❖ Precision Control
- ❖ Energy Efficiency
- ❖ Customization available.
- ❖ Safety Enhancement
- ❖ Versatility

FOR MORE DETAILS PLEASE VISIT OUR WEBSITE :
<https://cecoindia.net>

PRESSURE REGULATOR

Title	PRESSURE REGULATORS
Size Range	1/8" To 2" (BSP / NPT)
Connection	Female x Female Connection Female x Male Connection Male x Male Connection
Configurations	AS PER REQUIREMENT
Seal	AS PER REQUIREMENT
Working Pressure Range	AS PER REQUIREMENT
Temperature Rating	AS PER REQUIREMENT
Body Material	SS 316 SS 304 MS Brass All Types Of Alloy Steel Grade



DIRECT MOUNTING PRESSURE REGULATOR

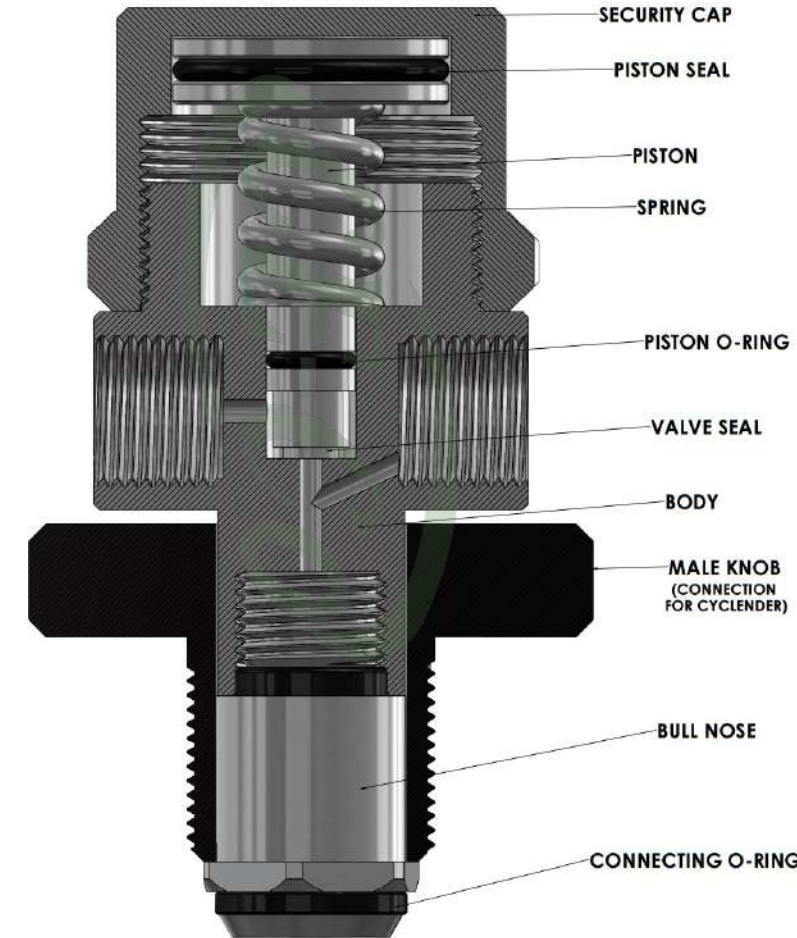
controls fluid pressure to ensure optimal system performance and safety

- ❖ Precision Control
- ❖ Energy Efficiency
- ❖ Customization available.
- ❖ Safety Enhancement
- ❖ Versatility

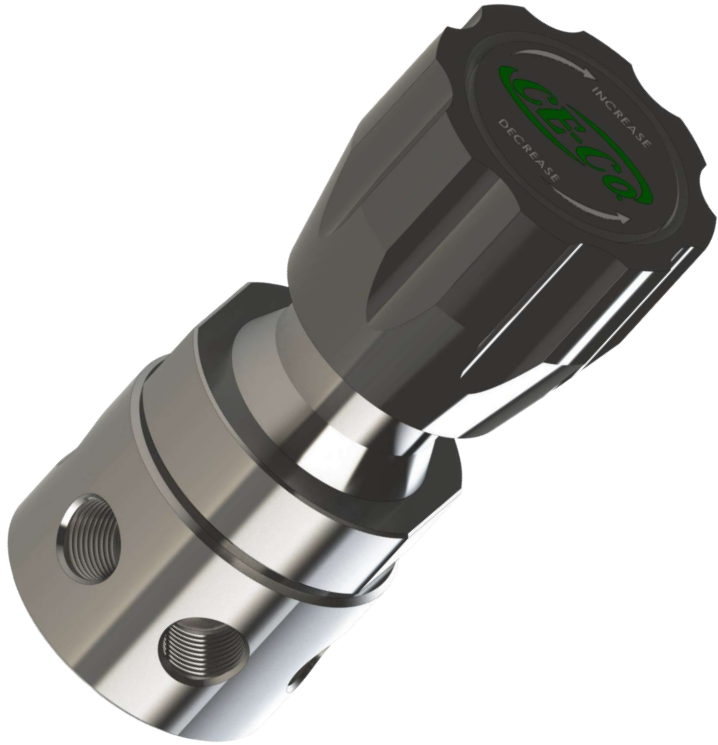
FOR MORE DETAILS PLEASE VISIT OUR WEBSITE :
<https://cecoindia.net>

PRESSURE REGULATOR

Title	PRESSURE REGULATORS
Size Range	1/8" To 2" (BSP / NPT)
Connection	Female x Female Connection Female x Male Connection Male x Male Connection
Configurations	AS PER REQUIREMENT
Seal	AS PER REQUIREMENT
Working Pressure Range	AS PER REQUIREMENT
Temperature Rating	AS PER REQUIREMENT
Body Material	SS 316 SS 304 MS Brass All Types Of Alloy Steel Grade



PRESSURE REGULATORS



PRESSURE REGULATOR



FLOW CONTROL NRV



PRESSURE REGULATOR WITH VENT



DIRECT MOUNTING PRESSURE REDUCER



FLOW REDUCE VALVE

HIGH PRESSURE VALVES & FITTINGS

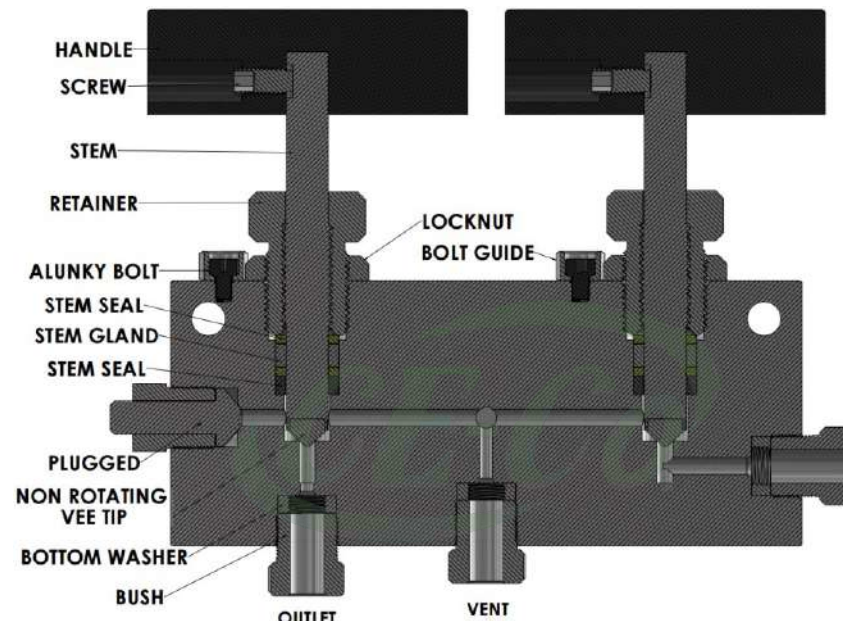
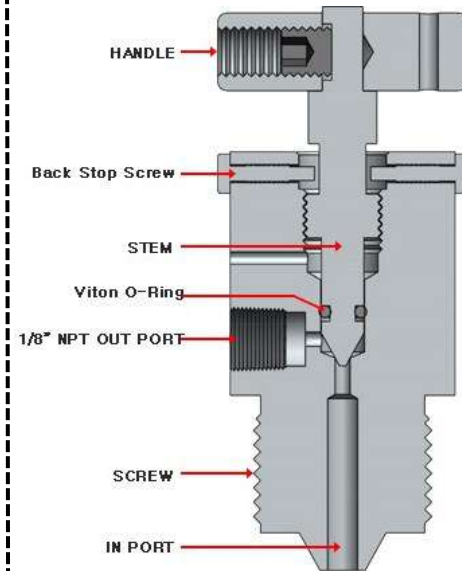
controls fluid pressure to ensure optimal system performance and safety.

- ❖ Pressure Integrity
- ❖ Corrosion Resistance
- ❖ Customization available.
- ❖ Precision Engineering
- ❖ Versatile Compatibility

FOR MORE DETAILS PLEASE VISIT OUR WEBSITE :
<https://cecoindia.net>

PRESSURE REGULATOR

Title	HIP FITTINGS
Size Range	1/4" To 2"
Connection	AS PER REQUIREMNET Connection
Configurations	AS PER REQUIREMENT
Seal's	AS PER REQUIREMENT
Working Pressure Range	AS PER REQUIREMENT
Temperature Rating	AS PER REQUIREMENT
Body Material	SS 316 SS 304 MS Brass MONEL INCONEL HASTOLLEY



HIGH PRESSURE VALVES AND FITTINGS



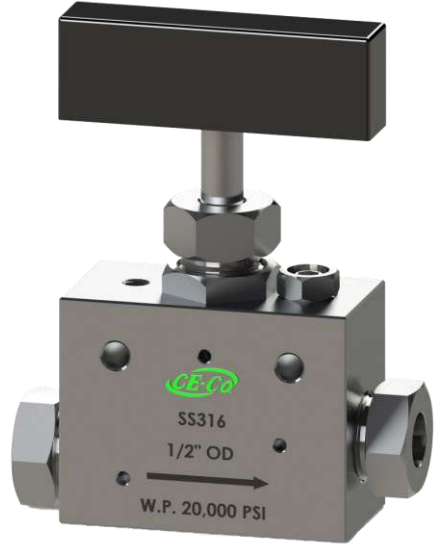
HIGH PRESSURE DBB BALL VALVE



HP BALL VALVE



HIGH PRESSURE DBB NEEDLE VALVE



HP NEEDLE VALVE



GUAGE ACCESSORIES

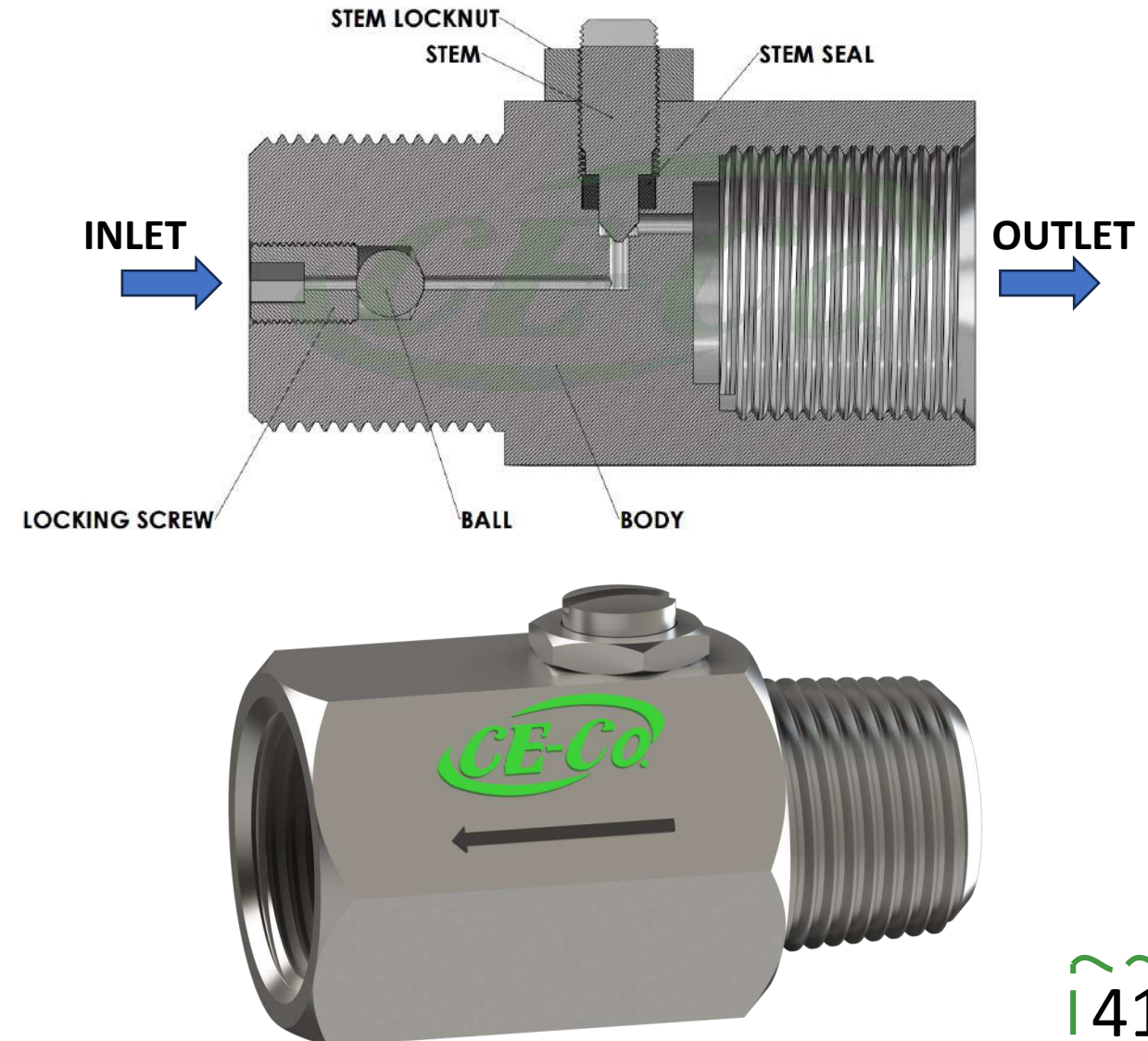
Provides accurate measurement and monitoring of system pressures for optimal performance and safety.

- ❖ Accurate Measurement
- ❖ Energy-Efficient Monitoring
- ❖ Customization available.
- ❖ Safety Augmentation
- ❖ Versatile Applications

FOR MORE DETAILS PLEASE VISIT OUR WEBSITE :
<https://cecoindia.net>

PRESSURE REGULATOR

Title	GUAGE ACCESSORIES
Size Range	1/4" To 1" (BSP / NPT)
Connection	Female x Female Connection Male x Female connection Male x Male connection
Configurations	AS PER REQUIREMENT
Seal's	AS PER REQUIREMENT
Working Pressure Range	AS PER REQUIREMENT
Temperature Rating	AS PER REQUIREMENT
Body Material	SS 316 SS 304 MS Brass



GAUGE ACCESSORIES



M/F GAUGE COCK VALVE



3 WAY M/F GAUGE COCK VALVE



BSP BLEED VALVE



M/F THERMOWELL



FLANG END THERMOWELL



F/F GAUGE COCK VALVE



GAUGE SAVERS



HIGH PRESSURE BLEED VALVE



Q TYPE SYPHONE



3 WAY FEMALE GAUGE COCK VALVE



SNUBBER



NPT BLEED VALVE



U TYPE SYPHONE



M/F PIGTAIL SYPHON

FLOW CONTROL VALVE

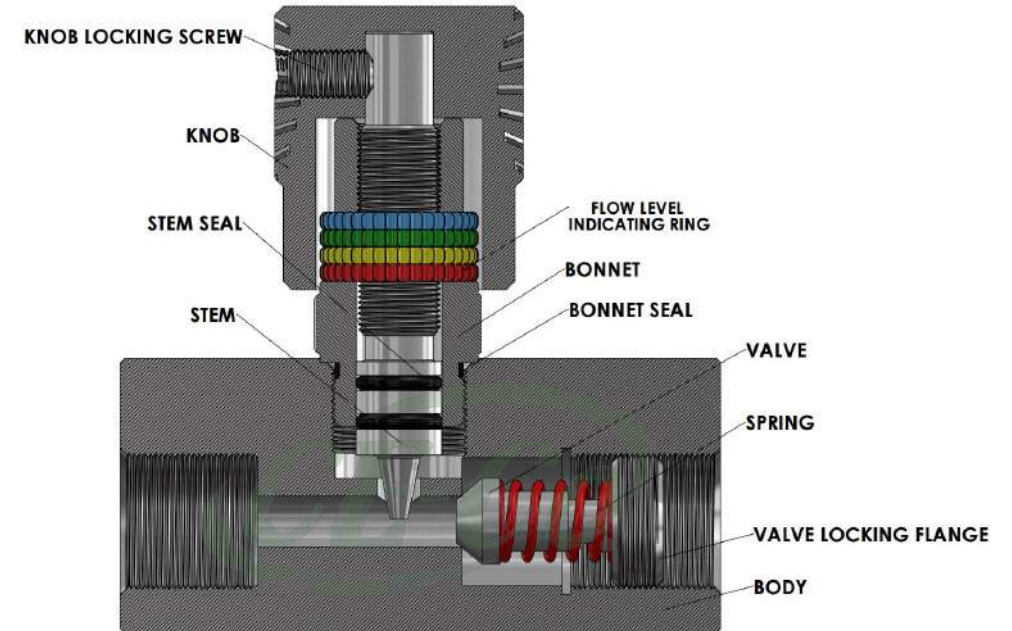
controls fluid pressure to ensure optimal system performance and safety.

- ❖ Flow Optimization
- ❖ Energy Conservation
- ❖ Customization available.
- ❖ Safety Assurance
- ❖ Adaptability

FOR MORE DETAILS PLEASE VISIT OUR WEBSITE :
<https://cecoindia.net>

PRESSURE REGULATOR

Title	FLOW CONTROL VALVE
Size Range	1/4" To 1" (BSP / NPT)
Connection	Female x Female Connection
Configurations	AS PER REQUIREMENT
Seal's	AS PER REQUIREMENT
Working Pressure Range	AS PER REQUIREMENT
Temperature Rating	AS PER REQUIREMENT
Body Material	SS 316 SS 304 MS Brass



CONDENSOR PORT

Efficiently manages heat exchange for enhanced system performance and safety.

- ❖ Optimal Thermal Management
- ❖ Enhanced Heat Exchange
- ❖ System Performance Boost
- ❖ Reliable Safety Features
- ❖ Customization available.

FOR MORE DETAILS PLEASE VISIT OUR WEBSITE :
<https://cecoindia.net>



AIR HEADERS

Effectively distributes compressed air for optimal system operation and safety.

- ❖ Efficient Air Distribution
- ❖ Enhanced Compressed Air Flow
- ❖ System Operation Optimization
- ❖ Safety Measures in Place
- ❖ Customization available.

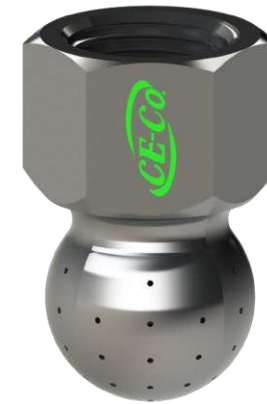
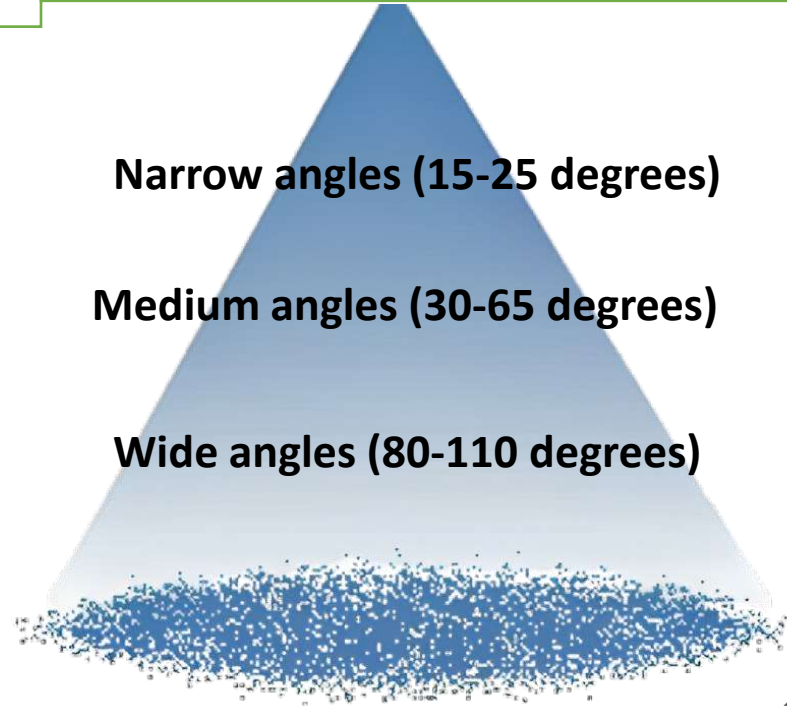


SPRAY NOZZLES

Maximizes atomization for optimal dispersion and coverage, ensuring efficient fluid distribution and application precision

FOR MORE DETAILS PLEASE VISIT OUR WEBSITE : <https://cecoindia.net>

- ❖ Precision Atomization
- ❖ Uniform Coverage
- ❖ Versatile Applications
- ❖ Clog-Resistance Design
- ❖ Adaptability and Configurability

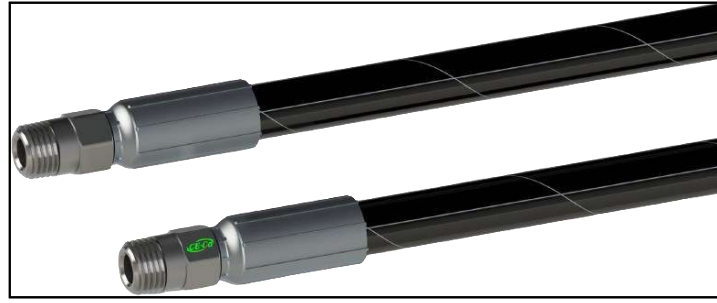


HOSE PIPE WITH FITTINGS

Efficiently manages heat exchange for enhanced system performance and safety.

FOR MORE DETAILS PLEASE VISIT OUR WEBSITE :
<https://cecoindia.net>

- ❖ Durable and Flexible Construction
- ❖ Efficient Fluid Transfer
- ❖ Versatile Fittings Compatibility
- ❖ Pressure and Temperature Resistance
- ❖ Customization available.



PIPE FITTINGS



MALE ADAPTOR



BSP HEX NIPPLE



BARREL NIPPLE



NPT PLUG



BSP PLUG



NPT HEX NIPPLE



HOSE NIPPLE



REDUCING BUSH



REDUCING HEX NIPPLE



FEMALE UNION



MALE FEMALE BSP SWIVEL



M/F UNION



M/F ADAPTOR



HEX SOCKET



ROUND SOCKET



FEMALE TEE



FEMALE ELBOW



M/F ELBOW



MALE FEMALE SWIVEL ELBOW



MALE FEMALE SWIVEL BRANCH TEE

COMPRESSION TUBE FITTINGS



MALE CONNECTOR



FEMALE CONNECTOR



FEMALE BULKHEAD



FEMALE BRANCH TEE



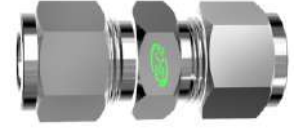
S.W. ELBOW



OD NUT



S.W. CONNECTOR



STRAIGHT UNION



UNION TEE



FEMALE RUN TEE



UNION CROSS



DOUBLE FERRUL



MALE TUBE ADAPTOR



REDUCING UNION



MALE BRANCH TEE



UNION ELBOW



TUBE PLUG



OD FILTER TEE



REDUCING TUBE ADAPTOR



BULKHEAD UNION



MALE RUN TEE



MALE ELBOW



END CAP



FEMALE FILTER TEE



FEMALE TUBE ADAPTOR



MALE BULKHEAD UNION

Serving Industries Across Continents



ISO 9001 : 2015



CREATIVE ENGINEERING CO.

INSTRUMENTATION VALVE & FITTINGS AND ASSEMBLIES

OFFICE ADDRESS : Gala No. 3, Allana Compound, Dr. A. R. Nair Road , Agripada, Mumbai- 400 011, Maharashtra.

FACTORY ADDRESS : Gala NO. 23, ANZ Industrial Estate, Opp:- Fiza Hotel, Near Agarwal hospital Golani Naka, Valiv Vasai (E)- 421208, Maharashtra , India

CONTACT US AT : +91 9022277769 | +91 9022277756 | +91 9322532265

EMAIL : CECOINDIA1@GMAIL.COM / IMBESAATCECO@GMAIL.COM | **WEBSITE :** WWW.CECOINDIA.NET / WWW.CECOINDIA.COM

GST IN : 27AWFPS0743P1ZY | **PAN NO :** AWFPS0743P | **IEC NO :** AWFPS0743P